



2016 PWDC Water Trial Manual

www.pwdcc.org



Forward

The Portuguese Water Dog Club of Canada greatly appreciates the generosity of the Portuguese Water Dog Club of America (PWDCA) in sharing their Water Trial program with us. The current PWDCA manual is the authorized and final version if there is any question or discrepancy between the PWDCC and PWDCA manuals. Every effort will be made to keep the two documents exactly the same. By extending the use of their Trial Manual and the use of their Judges, the PWDCA has made possible the continuation of a Water Trial program in Canada. In addition, our titles are reciprocal with PWDCA titles, a team can trial at one level in Canada and trial the next level in the United States, and PWDCC titles count towards the PWDCA Register of Merit program. (see www.pwdca.org for more information.)

This sharing of purpose, to keep our breed as a true working dog, is to be commended. We thank the PWDCA, its Board of Directors and Water Trial and Awards committees.

On behalf of the PWDCC Board
June 1, 2009

PWDCC Water Trial Participant Manual

Table of Contents

Forward	i
Introduction	1
Goals	1
Purpose	1
Rules and Regulations for Water Trial Participants	2
Summary of Exercises by Level	9
Junior Water Dog Test Exercises	10
Apprentice Water Dog Test Exercises	12
Working Water Dog Test Exercises	16
Courier Water Dog Test Exercises	19
Courier Water Dog Excellent Title	22
Versatility Award	23
Description And Illustration Of Regulation Equipment	31
Administrative Guidelines	34
Appendix A	
Water Trial Site Diagram	50
Appendix B	
Modified Bait Bucket	51
Appendix C	
Fishing Net Dimensions	52
Appendix D	
Boat Step Construction	53
Appendix E	
Construction of Site Markers	54
Appendix F	
PWDCC Water Test Application form	56
PWDCC DOG AGGRESSION: Judge's form	57
PWDCC DOG AGGRESSION: Host Committee form	58
Glossary of Terms	59

Introduction

The Portuguese Water Dog, past and present, is a working breed. As a contributing crew member on Portuguese fishing vessels, tasks that were attributed to the breed included retrieving overboard objects, carrying messages, swimming fishing floats into place and guarding the boats, nets and catch when in port. The regular and successful completion of these tasks required teamwork between dog and owner, efficiency in accomplishing the work of the day, natural willingness and the intelligence to adapt routines to changing conditions.

The Portuguese Water Dog today exhibits eagerness, intensity and strong swimming and retrieving abilities. In order to preserve these qualities and maintain for the future the breed's natural instincts, a series of exercises were developed in THE UNITED STATES OF AMERICA to reflect the historical working background of the Portuguese Water Dog. These exercises consist of two aspects: the dog's ability to perform a task and its willingness to do so on command.

The Water Trial program was the beginning of another chapter in the history of the Portuguese Water Dog. It provides a context in which to record our present efforts to preserve the past and insure the future of this noble working water dog.

Goals

The goals of the water trial are to promote an environment that encourages:

1. The development of the working attributes of the Portuguese Water Dog;
2. A strong bond between dog and owner consistent with the Portuguese Water Dog's heritage as a working companion; and
3. The creation of a modern water work activity specifically related to the breed's unique abilities and historical function.

Purpose

The progression of test exercises and levels included in this manual is intended to provide Portuguese Water Dogs and handlers an opportunity to earn a certificate or titles based on water exercise levels completed.

Rules and Regulations for Water Trial Participants

General

1. The term “handler” shall mean either an owner of a dog who handles the dog during the test exercises or any other person authorized by the owner to handle the dog during the test exercises.
 - a. “Participant” shall include both handlers and Stewards, including substitute Stewards.
 - b. “Water trial rules” shall mean the provisions of this Water Trial Manual.
 - c. “Water trial official” shall mean any of the following: Judge(s); official trial Stewards; the veterinarian and lifeguard(s) provided by the host water trial committee (“Host Committee”); members of the Host Committee; and any other person to whom a task has been specifically delegated by the Host Committee. At all levels, the handler may talk to the dog at all times.
2. Dogs and handlers are expected to perform in a natural environment, which may include wind, rain, sun glare, tides and currents.
3. Owners and handlers shall be responsible for the health, safety and fitness of their dogs. Subject only to the Judge’s authority to excuse a dog from competition, it is the sole responsibility of the owner and/or handler to decide whether to compete.
4. An owner or handler may withdraw a dog from competition at any time for health, safety or other reasons by notifying the Judge or Trial Secretary.
5. Participants and spectators shall obey the directions of the Judge(s), Host Committee and Stewards.
6. Violation of these “Rules and Regulations for Water Trial Participants” shall be cause for failing an exercise, disqualification from competition in the trial or other action, including expulsion from the trial grounds, to be determined by the officiating Judge(s) and/or Host Committee.

Test Grounds

1. Dogs not actively competing in a trial must be kept on leash or in crates and at such a distance from the test area as not to disturb working teams.
2. No person on the trial grounds shall engage in conduct that is abrasive or dangerous to him/herself or others, or that disrupts the trial, or interferes with any competing team or with any water trial official in the discharge of his/her duties. Anyone engaging in such behavior is subject to expulsion from the trial grounds.
3. No one is to physically discipline a dog while on the trial grounds except to ward off or prevent aggression by a dog. No person shall leave a dog unattended and exposed to conditions that may create a risk of injury or death. Anyone found to be abusing or neglecting a dog on the trial grounds is subject to expulsion from the trial grounds.
4. Waste containers will be provided and handlers/owners must clean up after their dogs.

Test Area

1. No food, toys or other training aids are permitted in the test area at any time.
2. Dogs are not permitted to enter or practice in the test area from the time the site is set up until the end of the trial except when being Judged and during the three minute warm-up period just prior to judging.
3. During the trial, no one is permitted in the test area except a team (including substitute Steward, if any) which is competing or warming up, the Judge(s) and other water trial officials who are performing their duties. At no time is anyone permitted to interfere with a dog's performance by blocking the gates, the area between the waters edge and 3-foot line to prevent a dog from running off. The only exception would be a life-threatening situation.
4. A dog is not permitted to leave the land test area during an exercise and may be failed by the Judge if it does leave the land test area.

Equipment

1. Only regulation equipment is to be used in a water trial. (See "Description and Illustration of Regulation Equipment" in this Water Trial Manual). A handler may use his/her own equipment (except where noted that club-provided equipment is to be used) provided it has been inspected by the Judge (or his/her designated Steward) to verify that it is regulation equipment. The host club will provide the regulation boats, site markers and the three retrieving article used in the Versatility Overboard Article exercise. All regulation equipment must be in good working repair. Any piece of equipment, in the opinion of the Judge, which is considered to pose a risk to the dog, handler or Steward will be deemed not suitable for use in the given water trial. Identical equipment refers to size, material, colour and any attachments.
2. Dogs are required to wear non-restrictive harnesses at all levels including Junior level. At the option of the handler the dog may wear a flat buckle or rolled leather collar, but there shall be no attachments hanging on the collar. Painted or stitched designs or information on the collar is acceptable.
3. The handler, while in the test area, must wear a CSA approved life vest. If the life vest is an inflatable one, it must be inflated. Anyone in the test area who will enter the water or a boat is also required to wear an approved life vest. People who will not enter the water or a boat at any time need not wear a vest unless required to do so by the Judge. The Judge may choose to require life vests to be worn by everyone who will be near the water.
4. The handler and everyone else in the test area must also wear appropriate closed toe shoes. Sandals or thong type shoes may not be worn. Swimming fins are not appropriate footwear for handlers.

Test Procedures

1. The PWDCC requires all attendees, handlers and spectators at all water trials to conduct themselves in the spirit of good sportsmanship. It is expected that each exhibitor always consider as paramount the welfare of his or her dog. As such, a handler is permitted to talk, cheer and encourage his dog within the guidelines of the PWDCC Water Trial Manual. There are no restrictions to the number of commands or directions that can be given to the dog by the handler. Any actions or language not appearing to be in the spirit of good sportsmanship will not be permitted. This includes but is not limited to harsh commands, whether verbal or physical in nature or handling a dog in an abusive manner. Any action viewed by the Judge during the course of the trial, not to be in the spirit of good sportsmanship shall result in the immediate dismissal from the trial.
2. A team must receive a passing score on each exercise at a given test level in order to earn a “qualifying score” for that test level. A qualifying score is required to earn a certificate or title.
3. Each team will be allowed a three-minute warm-up period in the test area just prior to being judged. Any trial equipment used at the team’s test level may be used during the warm-up period. The Judge need not wait for the water to clear and may begin the test at any time after the end of the warm-up period.
4. All exercises are performed with the dog off lead.
5. Unless specifically permitted by an exercise description or these Rules and Regulations, the handler may not physically touch, guide or restrain the dog after an exercise has begun. An exercise is deemed to begin when the Judge says (or signals) "You may begin". The Junior and Apprentice levels, the handler may gently guide the dog by the collar or harness between exercises. At the Working, Courier, and Versatility levels, the handler must control the dog without physical guidance of any kind both during and between exercises. However, the handler may physically assist a dog in boarding a boat from water of swimming depth and may, in the interest of safety, momentarily steady a dog on a boat platform while it turns, shakes its coat or is in danger of falling. Upon completion of an exercise the handler may pet and praise the dog.
6. Before each exercise the Judge will ask the handler, “Are you ready?” and upon receiving an affirmative response will tell the handler, “You may begin”. The handler and/or Steward then prepares for the exercise by throwing an article, placing a float line, dumping articles overboard, etc. Timing of the exercise starts when the Judge says (or signals), “Send (or call) your dog” or, if the exercise does not require the dog to be sent, when the Judge says, “You may begin”. Exception: In the underwater object retrieve, timing begins when the object sinks. At the Junior level, the handler may hold the dog by the harness or collar until the Judge says “send your dog”, at which point the handler must take his/her hands off of the dog. The Judge will signal the end of each exercise and the end of timing by telling the handler, “Exercise finished”. Hand or whistle signals may be substituted for vocal signals by the Judge, so long as the signal system is clearly explained to participants before the judging begins.

7. The handler may not send or call the dog before the Judge gives the signal to do so. The dog is not permitted to anticipate the handler's command to the dog. Unless specifically defined otherwise in an exercise description, "anticipation" means that a dog crosses the three-foot line with all four paws before being sent or called in an exercise that starts on land, or leaves the boat platform before being sent in a boat exercise.
8. Verbal encouragement, commands and/or hand signals are allowed and may be repeated by the handler at any time. A whistle may be used by the handler to signal the dog.
9. In all exercises at all levels: a Steward/substitute Steward is not allowed to communicate with a competing dog except as noted, and is inactive and silent unless a specific role or function is assigned in the exercise description or these "Rules and Regulations for Water Trial Participants". In any case, where not specifically allowed, the Steward/substitute Steward shall not respond to the handler beyond a brief nod.
10. The handler or the Steward may not, at any time, in any exercise, splash the water to draw attention to the handler or to an object or for any other reason.
11. "Double handling" during an exercise means any assistance to or communication with a competing dog by a person who is not specifically permitted by the terms of the exercise description or these "Rules and Regulations for Water Trial Participants" to so assist or communicate with the dog. Double handling will be cause for immediate failure of an exercise except where it occurs through an error made by an official trial Steward. In that case, the dog must be retested on the exercise.
12. "Entering the water" means a dog moves all four paws across the three-foot line or, in the case of a dog on a boat, jumps from the boat platform toward the water.
13. "Leaving the Water" means the dog moves all four paws across the three foot line from the water toward land."
14. A handler is allowed the use of one personal substitute Steward at the Courier and Versatility levels. A personal substitute Steward is also allowed for the Timed Swim at the Junior and Apprentice levels. For all other exercises at any level, the Judge and Trial Chair must approve the use of a personal steward prior to the briefing. Host Club Stewards are available to assist handlers as designated within the rules. Handlers who are physically challenged should address the situation with the Host Club Trial Secretary or Trial Chair and Judge prior to the trial so provisions can be made. If a physically challenged hander has designated a substitute steward to handle the dog for an exercise, the non-participating handler must remain quietly in the Judge's area during the time the dog is working with the steward. The steward performs the entire exercise with the dog.
15. Only the equipment necessary to complete the task(s) associated with the exercise being tested may be present and visible to the dog being tested. No other equipment may be on the platform of either boat or in the handler's or the Steward's immediate possession during the exercise.

Retrieving/Carrying Exercises Generally

1. Either the handler or a Steward may throw the article unless noted otherwise. If the Judge determines that a throw is inadequate, he/she will stop the exercise. The article will be recovered by the Steward and the exercise will be restarted. If the handler elects to throw the second time and the throw is still inadequate, the third and any subsequent throws will be made by the Steward.
2. The Judge will determine whether the throw is adequate and will signal approval to the handler by directing "send your dog" as noted above.
3. The dog may drop an article on shore or in the water and the handler may give additional signals and commands to recover it.
4. The dog may be redirected by voice and/or hand signals from the handler to locate an article if necessary.
5. The handler may not assist the dog in locating articles by throwing other objects. At no time during any exercise may the handler splash or otherwise put their hand in the water except to receive an object from the dog.
6. All deliveries are from the dog's mouth to the handler's hand except at the Junior Water Dog level and the Courier Pouch Exchange exercise where the pouch may be attached to the harness. The object being delivered must be released into the handler's hand and out of the dog's mouth prior to the handler touching the dog or its harness or the dog boarding the boat. Delivery to hand means that the dog brings an article to the handler and either deposits it in the handler's hand on command or allows the handler to remove the article from its mouth on command.

Retrieving Exercises from Shore

1. The handler must remain behind the three-foot line at all times except in the underwater object retrieve exercise.
2. A dog must leave the water to deliver an article to the handler on land. "Leaving the water," means a dog moves all four paws across the three-foot line.
3. The dog need not return directly to the shore point where the handler is standing, but may swim to the closest point of land. The handler is permitted to move any where within the test area behind the 3' line, however, once the dog has left the water, the handler may not move any more than one or two steps in any direction to receive the retrieved article. Delivery need not be to hand at the Junior Level. Remember, that if the dummy is dropped, it must be dropped close enough so that you do not move anymore than that one to two steps in any direction to pick it up at this level.
4. If a dog leaves the water without the article it was sent to retrieve, the dog fails that exercise. In the Underwater Object Retrieve, the dog must deliver the object before leaving the water.

Boat Exercises

1. Either handler or dog may enter the boat first.
2. At any time when required to be on a boat during or between exercises, the dog must remain under control and on the boat platform. The dog may be sitting, lying down or standing and minor changes of position are permitted as long as the dog remains under control.
3. The handler (or Steward, where specified) may place one hand in the water to receive an article as long as the person's torso, or trunk of the body, remains within the boat. The handler or Steward's legs may hang over the stern. At no time may a handler or Steward stand on the platform or step.
4. If the dog fails to return to the handler's boat within the time allowed for an exercise more than once during exercises at the Working, Courier, or Versatility levels, the dog will be excused from further participation.
5. The only time a handler or Steward may leave the platform of the boat is at the completion of the exercise and the boat is at a depth in which the handler may safely disembark from the platform. When the boat is resting in two to three feet of water it is considered safe for the handler, Steward and dog to disembark from the platform. Any handler or handler's Steward who leaves the platform of a boat, prior to the boat resting in two to three feet of water, will be disqualified immediately, forfeit the opportunity to continue with any other exercises within the specific test level and no title or certificate will be awarded. The exception to this rule is when the participating dog is in perceived danger.
6. Step will be held in the raised position at all times except as determined below. Step may be lowered when the dog is half way back to the boat, with the article or in the case of multiple articles, the final article. The exception to this will be for the Working level Articles Overboard. The step may be lowered after the second article has been delivered to hand.
7. Article must be delivered to hand in all boat exercises. The dog's paws may be on the step when delivery take place but may not touch the boat platform prior to delivery of the article. If the dog's paw or paws touch the boat platform prior to delivery to hand, the dog shall fail the exercise. In the Courier pouch exercise, if the pouch is attached to the dog's harness, the dog may be boarded onto the platform with the pouch attached (it is not necessary to remove the pouch prior to boarding the dog).

Swimming with the Handler

1. The dog is not permitted to climb on the handler during the swimming exercises. The handler may brush the dog off once without penalty, but if the dog attempts to climb on the handler a second time, the team fails the exercise.
2. The handler is not permitted to support the dog in the water.
3. No toys or retrieving articles are to be used during the swim.
4. If the handler is a non-swimmer or prefers not to swim with the dog and if the site allows, the dog may perform the swim exercise with a Steward or handler may walk with the dog swimming at his/her side. The dog must remain at swimming depth at all times. The handler is not allowed to ride the boat while the dog swims alongside the boat. Handlers who are physically challenged and require special arrangements should address the situation with the Host Club Trial Secretary or Show Chair, and Judge prior to the Trial so that provisions can be made. If a substitute steward is designated to handle the dog for the swim exercise, the non-participating handler must remain quietly in the Judge's area during the time the dog is working with the steward. The steward performs the entire exercise with the dog.

Starting Positions for Exercises

- Shore:** Handler is standing on shore behind the three-foot line and facing the water.
Dog is at the handler's side under control.
- Boat:** Handler is sitting or kneeling on the boat platform. Dog is at the handler's side under control.
- Other:** Position is explained at beginning of exercise.

Summary of Exercises by Level

Exercise

Time Allowed

Junior Water Dog (JWD)

- | | |
|-------------------------------------|-------------------------|
| 1. Retrieve Dummy from Shore | 1 minute |
| 2. Board Boat and Ride with Handler | 30 seconds + 30 seconds |
| 3. Call Dog from Shore to Boat | 2 minutes |
| 4. Timed Swim with Handler | 2 minutes |

Apprentice Water Dog (AWD)

- | | |
|--------------------------------------|---|
| 1. Underwater Retrieve | 1 minute |
| 2. Retrieve Dummy from Shore | 2 minutes |
| 3. Dummy Carry, Boat Ride and Recall | 30 seconds + 60' boat ride,
30 seconds |
| 4. Retrieve Floating Line from Shore | 2 minutes |
| 5. Timed Swim | 20 seconds + 2 minutes |

Working Water Dog (WWD)

- | | |
|--|-----------|
| 1. Gear Bag Retrieve | 1 minute |
| 2. Retrieve Dummy from Boat | 2 minutes |
| 3. Retrieve Overboard Articles | 3 minutes |
| 4. Retrieve Dummy between Two Boats | 1 minute |
| 5. Blind Retrieve Of Floating Line from Boat | 2 minutes |

Courier Water Dog (CWD)

- | | |
|---|-----------|
| 1. Courier Pouch Exchange | 2 minutes |
| 2. Blind Retrieve Of Floating Line: Boat to Shore | 2 minutes |
| 3. Directed Double Retrieve From Boat | 3 minutes |
| 4. Retrieve Fishing Net | 3 minutes |
| 5. Buoy Ball Placement | 3 minutes |

Courier Water Dog Excellent (CWDX)

Dog and handler will qualify two more times at the Courier Water Dog level.

Versatility Award

See page 28 for a list of the Versatility Packages.

Junior Water Dog Test Exercises

Objective: To provide an introduction to water work. To demonstrate the dog's readiness for and interest in water tasks and ability to perform basic skills necessary for title level work.

Overview: The Junior Water Dog level consists of four exercises: retrieve a dummy from shore, board a boat and ride with the handler, call a dog from shore to boat and swim a measured distance with the handler. Junior water dog handlers are encouraged to use the club boat equipped with a step. Dogs competing at the Junior Water Dog level will be awarded a Junior Water Dog Certificate upon successful completion of all Junior Water Dog Exercises. The Junior Water Dog level is not a titling level. A dog may compete at the Junior Water Dog level at any time during its lifetime, however; if said dog holds any water titles, said dog is not eligible to enter the Junior Water Dog level at the National Specialty. A Junior Water Dog who has qualified as a JWD within 30 days of the National Specialty may compete again at this level as long as said dog is not otherwise titled.

1. Retrieve Dummy from Shore

Purpose: Demonstrates the dog's willingness to enter the water and ability to retrieve.

Equipment: Dummy

Time: 1 minute

Starting Position: SHORE; Dog may be held by the harness or collar until the Judge signals to begin.

Procedure: On the Judge's signal, the handler will throw the dummy at least 25' from shore into the water. On the Judge's signal, the handler sends the dog. The dog will enter the water and go to the dummy, pick it up and bring it to the handler.

Notes: Delivery to hand is not required; however, the dog must cross the three foot line and drop the dummy close enough to the handler so that he/she can recover the dummy from where he/she is standing behind the three foot line. Handler is not permitted to move more than one or two steps in any direction once the dog has left the water. The handler's feet may move in place as he/she turns to receive the dummy.

2. Board Boat and Ride with Handler

Purpose: Demonstrates the dog's willingness to accompany and remain with the handler on a moving boat.

Equipment: Boat with platform

Time: 30 seconds to board boat, then 30 seconds riding on boat platform

Starting Position: SHORE

Procedure: The boat is at least 10' to the right or left of the dog and handler. A Steward, or Stewards, standing in the water will secure the boat, keeping it in water deep enough that it will float freely once the team has boarded. Another Steward will be seated in rowing position, but will not row. The oars may be shipped inside the boat to insure a clear working area for the Steward(s)

standing in the water. On the Judge's signal to begin, the team boards the boat platform. At this point, timing of the boat ride begins. The Steward(s) standing in the water move(s) the boat while the dog remains under control on the platform until the boat returns to shore and the Judge declares, "Exercise finished."

3. Call Dog from Shore to Boat

- Purpose:** Demonstrates the dog's trust and willingness to come to his master whether it be on land or water.
- Equipment:** Boat with Platform
- Time:** 2 minutes
- Starting Position:** Dog on shore, handler on the boat at the 60' marker
- Procedure:** The handler will leave the dog behind the 3' line either with a Steward or by itself. The Steward may restrain the dog by its harness. The handler will proceed on the platform of the boat out to the 60' marker. Upon the Judge's signal, the handler calls the dog. The exercise is finished when the dog reaches the boat.

4. Timed Swim

- Purpose:** Demonstrates dog's swimming ability and endurance over a longer distance and handler's control of the dog over a longer period of time.
- Equipment:** None
- Time:** 2 minutes, 1 minute timed swimming
- Starting Position:** SHORE
- Procedure:** On the Judge's signal, the dog and handler enter the water together. Timing of the exercise begins when the Judge say, 'you may begin'. Once the dog reaches swimming depth, it must swim for 1 minute, after which the dog and handler exit the water together. Timing of the exercise ends when the team crosses the 3' line. The handler may walk or swim at any time during the exercise. If at any time during the swim the dog touches bottom or starts to walk the dog will be disqualified.
- During the swim the team may go to the 60-foot marker, but not beyond the Water Test Area, which extends to 15 feet beyond the 60-foot marker. The Judge will signal when the 1 minute is up, at which time the team will return to shore.
- Handlers who are physically challenged and require special arrangements should address the situation with the Host Club and Judge prior to the Trial so that provisions can be made.
- Note:** The dog must continue swimming within six feet of the handler during the 1-minute swimming portion of this exercise. The dog must remain within close proximity (6') at all times including entering the water and when returning to shore and crossing the 3' line.

Apprentice Water Dog Test Exercises

Objective: To provide a disciplined approach to traditional water tasks that channels the Portuguese Water Dog's natural willingness and abilities to swim, retrieve, retrieve underwater and ride a boat.

Overview: The Apprentice Water Dog level consists of five exercises: retrieve underwater, retrieve a dummy from shore, carry a dummy to the boat and ride the boat, retrieve a floating line from shore, and swim a measured distance with the handler.

1. Underwater Retrieve

Purpose: Demonstrates the dog's ability to retrieve and deliver an underwater object. In the process of retrieving the underwater object, the dog's full face must be submerged to include the eyes.

Equipment: There are three objects allowed. The bait bucket, Whiffle ball, and a three-handled fetch toy. See Description and Illustration of Regulation Equipment and Appendix B.

Time: 1 minute from the time the object sinks

Starting Position: SHORE

Procedure: The handler and dog enter the water to a depth of water that will allow the dog to complete the task as required. The dog must be at the handler's side (either side), facing the same direction as the handler. Dog and handler will be parallel to shore. The area from the dog's head to the dog's shoulder shall be approximately in line with the handler's hip. On the Judge's signal, the handler places the object in the water at arm's length in front of the dog and parallel to shore. The object must sink immediately. As soon as the object sinks, and without further direction from the Judge, the handler sends the dog and the dog retrieves the object and delivers it to hand above the surface of the water.

Note: The handler may lead the dog into position by the collar or harness. The handler may re-toss the object up to a total of two times within the time allowed if he/she believes the dog does not see it or for any other reason. The Judge must be notified of the intention to re-toss on each occasion. The handler may point but may not put a hand in the water to assist the dog in locating the object. The handler remains in place and does not move closer than arm's length to the object unless repositioning it. As soon as the dog brings the object above the water's surface, the handler may step in as close as desired to the dog and object in order to take delivery of the object. If the dog paws the object ashore, the object is repositioned in the required depth of water in order for the dog to submerge its full face, including eyes, with no additional time allowed. The dog must remain in the water during this exercise until the object is delivered. If the dog leaves the water and crosses the three-foot line with or without the object, the dog fails the exercise.

2. Retrieve Dummy from Shore

- Purpose:** Demonstrates the dog's ability to retrieve and deliver to hand
- Equipment:** Retrieving dummy. (Note: The same dummy is used for both, this exercise and the Dummy Carry, Boat Ride and Recall to Shore exercise.)
- Time:** 2 minutes
- Starting Position:** SHORE
- Procedure:** On the Judge's signal, the handler will throw the dummy approximately 60' into the water. The handler must stop holding or touching the dog before the dummy is thrown. On signal from the Judge, the handler will send the dog. The dog will enter the water and go to the dummy, retrieve it, and deliver it to the handler on shore.

3. Dummy Carry, Boat Ride and Recall to Shore

- Purpose:** Demonstrates the dog's willingness to carry an article on land and bring it to the boat, ability to remain under control on a moving boat until called to shore, and ability to exit the boat under control.
- Equipment:** Dummy, boat with platform. (Note: The same dummy is used for both this exercise and the Retrieve Dummy from Shore exercise.)
- Time:** 30 seconds to carry the dummy, deliver it to handler and board boat; 60' boat ride; 30 seconds to leave the boat and return to handler.
- Starting Position:** OTHER: Handler with dummy is standing on land 25' away from the boat (parallel or perpendicular to the shoreline) and facing the boat. Dog is at the handler's side or otherwise under control.
- Procedure:** Steward will secure the boat keeping it in water deep enough that it will float freely once the team has boarded. On the Judges signal the handler places the dummy in the dog's mouth, without touching the dog. The dog holds the dummy while the team moves to the stern of the boat, where (without further direction from the Judge) the dog delivers the dummy to the handler. The dummy must be delivered to hand either on the ground near the stern, or on the platform. The handler passes the dummy to the Steward. Depending on the point of delivery, the team or the handler boards the boat. The boat ride begins as soon as the team is in position. (The team is in position when the handler is seated on the platform and the dog is under control on the platform.) The dog must remain under control on the platform while the Steward rows the boat approximately 60 feet out from the three-foot line. Dog remains on the platform while the boat returns close to shore but still in floating water. A Steward may intercept the boat before it runs aground. The Judge will signal the end of the boat ride. The handler then instructs the dog to remain on the platform while he/she exits the boat and goes to shore. When the handler is standing behind the three-foot line, the Judge will signal her/him to call the dog. Timing of the recall begins when the handler calls the dog. The exercise ends when the dog crosses the three-foot line and is under control.

Note: During the first part of this exercise, which ends when the dummy is delivered, or when time runs out, the dog may not enter the boat. Once the second part (boat ride) begins, as outlined in the exercise, the dog must remain on the platform.

4. Retrieve Floating Line from Shore

Purpose: Demonstrates the dog's willingness to retrieve an article that has been placed by someone other than the handler and deliver it to hand.

Equipment: 10' floating line, boat

Time: 2 minutes

Starting Position: SHORE

Procedure: On the Judge's signal the Steward, with floating line, will row across the test site approximately 60' from shore and parallel to the 60' markers and place the floating line in the water on the shore side of the boat. The Steward splashes the line several times to attract the dog's attention, but will not call out to the dog. When the floating line is in place, the Judge will ask "are you ready?" The handler may respond when he/she thinks the position of the boat and the line are the most advantageous for a successful retrieve of the floating line. When the handler gives an affirmative response, he/she must release the dog. Upon hearing the response, the Judge will tell the handler "you may begin" at which time the handler must send the dog. The dog retrieves the line and (without further direction from the Judge) will cross the 3-foot line with all four paws before delivering the float line to the handler.

Notes: The Judge will not ask the handler if he or she is ready before signaling the Steward to place the line. The dog does not have to bring the entire line out of the water, but must cross the three-foot line with all four paws to make the delivery. The floating line is placed rather than tossed in the water.

5. Timed Swim

- Purpose:** Demonstrates the dog's swimming and endurance ability, and ability to move with the handler in a controlled manner over time and distance, and knowledge of basic commands.
- Equipment:** None
- Time:** 20 seconds for recall + 2 minutes for the swim
- Starting Position:** SHORE
- Procedure:** The team will position themselves on shore facing the water, behind the 3-foot line. On the Judge's signal the handler will leave the dog on shore and, facing away from the dog, go out to a depth of water where the handler reasonably expects that the dog will be able and willing to swim. The handler will then turn to face the dog and, on the Judge's signal, will call the dog. The dog must begin swimming within 20 seconds after the handler's command. Timing of the exercise starts when the dog starts swimming. The handler may walk or swim at any time during the exercise. If at any time during the exercise the dog touches bottom or starts to walk the dog will be disqualified. During the 2-minute swim, the team may go to the 60-foot marker, but not beyond the Water Test Area, (area which extends 15 feet beyond the 60-foot marker).
- Note:** The dog must continue swimming within 6' of the handler during the 2-minute swimming portion of this exercise. The dog must remain within close proximity (6') at all times including when returning to shore and crossing the 3' line.

Working Water Dog Test Exercises

Objective: To demonstrate teamwork in performing a variety of useful retrieving tasks.

Overview: The Working Water Dog level consists of five retrieving exercises: a gear bag on land, a dummy from the boat, three overboard articles, a dummy thrown between two boats, and a blind floating line retrieve from the boat.

Note: The handler's boat is anchored or steadied at one of the 60' site markers on the shore side of the marker for all of the boat exercises at this level. How the boat is held at the marker will be determined by the Judge based on conditions. Mooring buoy, one or two anchors, rowing by Steward or other means may be used.

Note: If the dog "leaves the water" during the completion of any of the following exercises: #2 – Retrieve Dummy From Boat, #3 – Retrieve Overboard Articles, #4 – Retrieve Dummy Between Two Boats, or #5 – Blind Retrieve Of Floating Line From Boat, it shall fail that exercise.

1. Gear Bag Retrieve

Purpose: Demonstrates the dog's usefulness as a contributing crewmember and ability to retrieve a weighted bag on command.

Equipment: A bag containing gear for the Working Water Dog exercises (retrieving dummy, floating line and buoy ball); boat with platform.

Time: 1 minute

Starting Position: OTHER: Handler and dog are at the three foot line near stern of boat beached at shoreline within test area; team is facing away from the water toward a spot which has been designated as the pick up point for the gear bag.

Procedure: On the Judge's signal the Steward will, in full view of the handler, quietly place the gear bag on land 25' feet away from the team, and move out of the immediate area. On the Judge's signal, the handler will send the dog to retrieve the gear bag. The dog may pull or carry the bag, but must deliver it to the handler. The exercise ends with the delivery of the gear bag. At the conclusion of the exercise, the dog and handler board the boat and the handler brings the gear bag on board.

Note: In this exercise, "anticipation" means the dog leaves the handler's side before being sent.

2. Retrieve Dummy from Boat

- Purpose:** Demonstrate the dog's willingness to Jump from the boat on command, retrieve and deliver to the handler on board.
- Equipment:** Retrieving dummy, boat with platform
- Time:** 2 minutes
- Starting Position:** BOAT
- Procedure:** On the Judge's signal, the handler throws the dummy into the water approximately 50' from the stern of the boat and as parallel to shore as possible. At a signal from the Judge, the handler sends the dog, who retrieves the dummy and delivers it to the handler. The handler will raise the dummy over his/her head to signal completion to the Judge.

3. Retrieve Overboard Articles

- Purpose:** Demonstrates the dog's willingness to make multiple retrieves before re-boarding the boat, deliver articles while swimming, and the ability to retrieve an object below the water's surface from a swimming position.
- Equipment:** Retrieving dummy, floating line, buoy ball (all three articles may be placed in gear bag); boat with platform.
- Time:** 3 minutes
- Starting Position:** BOAT
- Procedure:** The oars may be shipped inside the boat to insure a clear working area for the dog. On the Judge's signal, the handler will empty the gear bag of articles OR toss the three articles into the water alongside and towards the rear of the boat on the shore side. The articles should be about 3' away from the boat. On the Judge's signal, the handler will send the dog to retrieve one article at a time and deliver it to the handler. When the handler has received the third article, he/she will raise it over his/her head to signal completion to the Judge.
- Note:** The dog remains in the water until all three articles are delivered. In the event of extreme wind or current conditions, and at the Judge's discretion, the boat may be unmoored and allowed to drift with the articles. The Steward is also permitted to manipulate the boat to enable the handler to face the dog. If articles become tangled, the handler may accept one article delivered to hand, but must re-toss the other article. If articles become trapped under the boat, the Judge may direct the handler or the Steward to reposition them approximately 3' away from the boat.

4. Retrieve Dummy between Two Boats

Purpose: Demonstrates handler's control and the dog's ability to work with the handler at a distance.

Note: At the beginning of this exercise, the floating line is given to the Steward and left in the Steward's boat for exercise #5. At the conclusion of the Retrieve Between Two Boats, as the dog is boarding the handler's boat, the Steward quietly places the floating line in the water on the far side of his/her boat, approximately 50' from the stern of the handler's boat and no closer than 15' to the nearest marker. The Steward then rows out of the area.

Equipment: Retrieving dummy (in the handler's boat), two boats with platforms.

Time: 1 minute

Starting Position: BOAT

Procedure: The Steward rows out to the handler's boat and the dog boards the platform of the Steward's boat. The Steward may anchor with the stern of his/her boat at the opposite 60' marker. Both boats will be held in a line parallel to shore with their sterns at least 50' apart. On the Judge's signal, the handler throws the dummy into the water approximately halfway between the two boats and away from shore, so that the dummy lands at least 25' from the stern of each boat. On a signal from the Judge, the handler directs the dog to jump into the water and retrieve the dummy, which the dog delivers to the handler.

Note: The Steward is not permitted to touch or direct the dog by hand or by voice before, while or after the dog boards his/her boat. Once the Steward begins rowing away from the handler's boat the dog may not leave the Steward's boat until it is sent to retrieve the dummy. There is no Steward sitting beside the dog on the platform of the Steward's boat; Steward is in rowing position. After the dog has boarded the handler's boat, the handler must keep the dog from watching the Steward place the floating line for exercise #5 until the Steward has rowed out of the area. The dog should be positioned facing away from the Steward's boat. The handler is permitted to touch the dog to prevent it from looking at the Steward's boat.

5. Blind Retrieve of Floating Line from Boat

Purpose: Demonstrates the dog's ability and trust of handler in going for a retrieve that is indicated by handler's direction.

Equipment: Floating line (previously placed in water by Steward); boat with platform.

Time: 2 minutes

Starting Position: BOAT

Procedure: (Steward has already placed the floating line in water 50' from handler's boat during conclusion of the last exercise.) Handler and dog are given time to visually locate the floating line. On the Judge's signal, the handler will send the dog to retrieve the floating line. Dog retrieves the line and delivers it to the handler.

Courier Water Dog Test Exercises

Objective: To demonstrate the dog's proficiency in performing useful tasks which reflect the breed's historical value as an accomplished courier and contributing crewmember.

Overview: The Courier Water Dog level consists of five exercises: a courier pouch exchange from boat to boat, a blind retrieve of a floating line located on shore, a directed double retrieve, retrieve of a fishing net from a second boat and placement of a buoy ball.

Note: If the dog "leaves the water" during the completion of any of the following exercises: #1 – Courier Pouch Exchange, #3 – Directed Double Retrieve From Boat, #4 – Retrieve Fishing Net, or #5 – Buoy Ball Placement, it shall fail that exercise.

Notes: Boat Positions: Stern of handler's boat is anchored or steadied at one of the 60' site markers on the shore side of the marker for all of the exercises. In the first four exercises at this level, the Steward's boat is held with its stern at the opposite 60' site marker from the handler's boat. Both boats are positioned as nearly parallel to shore as possible, and a minimum distance of 50' is maintained between their sterns during the exercises. How the boat will be held at the marker will be determined by the Judge based on conditions. This might be mooring buoy, one or two anchors, use of oars by Steward or other means. Boats may be positioned farther than 60' from shore if water is insufficiently deep at the site markers to accommodate fishing net without drag.

Division of Equipment: one courier pouch, two identical retrieving dummies and the fishing net go in Steward's boat; floating line is left with Judge's Steward; one courier pouch and the buoy ball go in handler's boat.

1. Courier Pouch Exchange

Purpose: Demonstrates the dog's willingness to go to others on command and cooperate with crewmembers.

Equipment: Two courier pouches, a second Steward's boat. One pouch is in handler's boat and one is in Steward's boat.

Time: 2 minutes

Starting Position: BOAT

Procedure: On the Judge's signal, handler commands dog to jump into the water and directs the dog to take the courier pouch in its mouth OR dog may be given the pouch and then commanded to Jump into the water. Pouch may also be attached to the harness but must be attached to the harness before the dog enters the water. Dog delivers pouch to Steward in second boat. After receiving the first pouch, the Steward directs the dog to take or attaches the second courier pouch; the dog returns to handler and delivers the pouch.

Note: Steward may show the pouch to the dog when the dog is about halfway from the Steward's boat. Steward may call or speak to the dog at that time. Neither the handler nor the Steward may throw the pouch into the water and command the dog to take it.

2. Blind Retrieve of Floating Line: Shore to Boat

- Purpose:** Demonstrates the dog's willingness to leave the water and go to shore on command, and ability to follow handler's directions in locating an object whose placement the dog did not see and which is not highly visible.
- Equipment:** Floating line (left with Judge's Steward upon team's entry into the water test area).
- Time:** 2 minutes
- Starting Position:** BOAT
- Procedure:** During the previous exercise, Judge's Steward places the floating line on shore in the test area, 1 to 2' over the three-foot line on the land side, parallel to the water. The floating line may be stretched out or placed in a pile at the Judge's discretion. The handler is given time to visually locate the floating line. On the Judge's signal, the handler sends the dog into the water and directs the dog towards shore to find and retrieve the floating line. Once the dog enters the water with the float line, the dog must return to the handler and deliver the float line without leaving the water again. "Entering the water" and "leaving the water" means all four feet to cross the 3-foot line.
- Note:** The Steward is inactive during this exercise. All persons including the Judge must remain at least 25' away from the floating line. The dog is permitted to cross the three-foot line in the process of retrieving the floating line so long as the dog is working.

3. Directed Double Retrieve from Boat

- Purpose:** Demonstrates the dog's ability to take direction and retrieve two placed articles.
- Equipment:** Two identical retrieving dummies, a second Steward's boat. Both dummies are in Steward's boat.
- Time:** 3 minutes
- Starting Position:** BOAT
- Procedure:** Steward's boat is at the opposite 60' marker from handler's boat. On the Judge's signal, the Steward will throw whichever dummy he/she wants to first, with one thrown approximately halfway between the boats and diagonally to the right of the handler's boat and the other approximately halfway between the boats and diagonally to the left of the handler's boat. The dummies should fall approximately 50' apart and midway between the two boats. (Visual: the two boats and the two dummies together should form a diamond pattern.) On the Judge's signal, the handler sends the dog to retrieve the first dummy. When the dog delivers it to the handler, he/she sends the dog to retrieve the second dummy and the dog delivers it to the handler. The handler will raise the second dummy over his/her head to signal completion to the Judge.

Note: Either Steward in the Steward's boat may throw the dummy. The handler may direct the dog to the correct dummy at any time before or after it enters the water. The dog may not touch the wrong dummy. The dog remains in the water until both retrieves are completed. Only the order of the retrieval will be set at the Judges briefing. Should drastic climatic changes occur between the participants, the Judge reserves the right to change the order of the retrieve. If a throw is determined to be inadequate, the dummies will be retrieved and re-thrown.

4. Retrieve Fishing Net

Purpose: Demonstrates the dog's training and strength in working with the crew to simulate a historical task of the breed.

Equipment: Fishing net, a second (Steward's) boat. Fishing net is in Steward's boat.

Time: 3 minutes

Starting Position: BOAT

Procedure: Steward, with fishing net, is in the second boat which is at the opposite 60' marker from the handler's boat. On the Judge's signal, the handler sends the dog to the Steward's boat to retrieve the fishing net. When the dog reaches the Steward's boat, the Steward directs the dog to take the floating line end of the fishing net in its mouth. The dog returns to the handler's boat and delivers the net. When the exercise is finished, handler drops the end of the line back into the water and the Steward retracts the fishing net line.

Notes: The Steward may not physically signal or speak to the dog before reaching the half way mark. Two to three feet of the floating line end of the fishing net may hang over the edge of the Steward's boat and be visible to the dog as the dog approaches. These two or three feet of line may be waved or splashed after the dog has passed the half way mark.

5. Buoy Ball Placement

Purpose: Demonstrates the dog's ability to perform a "reverse retrieve," ability to follow multiple directions in succession, and willingness to relinquish an object on command at a distance from the handler.

Equipment: Buoy ball

Time: 3 minutes

Starting Position: BOAT

Procedure: On the Judge's signal, the handler directs the dog to enter the water and take the rope of the buoy ball in its mouth. The handler sends the dog to a point approximately 10 to 15' beyond the opposite 60' marker. The Judge will indicate when the dog is far enough past the marker. The handler will then command the dog to drop the buoy ball, and the dog returns to the handler.

Notes:

The buoy ball may either be thrown into the water for the dog to pick up or handed to the dog, but not before the dog enters the water. If the buoy ball is thrown, it must be in the immediate vicinity of the boat, and no more than 10'. Once the dog has taken the rope in his mouth, or the ball has been thrown into the water, the handler cannot touch the buoy ball again. The buoy ball rope must be dropped from the dog's mouth approximately 10 to 15' beyond the marker. The dog may drop the buoy ball at a distance greater than 10 to 15' beyond the marker (e.g., 20'). If the buoy ball rope catches around the dog's neck or harness the dog must be directed to swim free of the rope so that the buoy ball is left beyond the 60' marker. (If the buoy ball has been dragged back toward the marker due to a caught rope, the dog need not swim the ball back to the original drop location. In this case, the only requirement is that the buoy ball be left beyond the marker.) In the event that a dog 1) has passed all the other Courier Water Dog exercises and 2) has made an effort to free itself from a tangled buoy ball rope but cannot do so in the allotted time for this exercise, the team may elect to be retested on this exercise one time after an opportunity to rest. The buoy ball drop must be in a line fairly straight out from the handler (not more than 10' to the left or right of the site marker). The Steward is inactive and the Steward's boat must leave the area for this exercise.

Courier Water Dog Excellent Title

Dog and handler must qualify two more times at the Courier Water Dog level. At least one of the three qualifying performances must be at a different site than the other two, and at least one of the three qualifying performances must be under a different Judge than the other two. (Minimum of 2 different sites and 2 different Judges.) It is not necessary that the dog be handled by the same person in all three qualifying trials.

Versatility Award

The Versatility Award program is for dogs that have earned their Courier Water Dog Excellent title. The Versatility Award is designed to demonstrate the ability of these dogs to perform advanced levels of water trial exercises with short notice, discriminate among different articles, and work at a distance from the handler with direction. Versatility is not a title, but an award that provides the opportunity for a handler and dog to continue to participate in water trials while demonstrating these skills. It is expected that teams will enter Versatility multiple times. The Versatility class will be run after Courier unless otherwise noted in the premium list.

The premium must include which packages will be offered which days. Packages A & C shall be offered on one day; packages B & D will be offered on the alternative day (in the case of a weekend with 2 days of trials). In the event of a single trial weekend (such as the National Specialty), the host committee will print which packages will be offered (must be a choice of A/C or B/D).

On the day of the water trial, the judge will randomly pick one of the packages that will be performed by all the teams entered that day. At the discretion of the judge, the package can be drawn at anytime up to 20 minutes before the first Versatility Water Dog team is judged, allowing enough time for the handlers to prepare their equipment. Each team will be allowed a 3-minute warm-up period in the test area just prior to being judged.

Each package consists of five exercises. Only the packages provided in this manual may be used. For multiple trials on the same weekend at the same location, the packages may not be repeated.

The exercises in the package will be performed as required in the current Water Trial Manual except that the dog is expected to be under voice control and should not be physically controlled between exercises. Dogs are required to jump from the platform of the boat within 20 seconds in all exercises, once instructed to do so. Those 20 seconds are included in the total time listed for each exercise. Teams passing all five exercises in the Versatility Water Dog package on the same day will earn a Versatility Water Dog Certificate.

Equipment changes for 2016 include the following: The seat cushion and life vest will no longer be used in the Overboard Articles exercise. For the net, the float closest to the leading point of the net must be clearly marked differently than all the others - by either float color or colored striping to allow the judge and handler to clearly know where the net begins.

As the Water Trial Committee anticipates recommending some or all of these exercises in an advanced titling level in the future, feedback is requested from all participants and judges as to the merit of each exercise. Questionnaires for both judges and participants can be found on the PWDCA website. Video feedback of the exercises is also requested. If you wish to provide video feedback, please upload your video to YouTube (or similar online video website) and email the link to the Water Trial Committee Chair at waterwork@pwdca.org.

Versatility Water Dog Test Exercises

Objective: To demonstrate the dog's versatility and proficiency in performing advanced level tasks which reflect the breed's historical value as an accomplished courier and contributing crew member. Dogs at this level are expected to be able to discriminate between objects and consistently take direction at a distance requiring increased levels of stamina.

Overview: The Versatility Water Dog level consists of four (4) packages. Each package is made up of the same 5 exercises, although each package contains variations of the exercise in both direction and equipment.

Description of Exercises:

1. Double Directed Retrieve Between Two Boats

- Purpose:** Demonstrates the dog's willingness to board a boat with only a rower, remain on the boat until sent and take direction from a distance to retrieve multiple articles.
- Equipment:** Two retrieving dummies (on handler's boat) A handler's boat and second steward's boat
- Time:** 2 minutes
- Starting Position:** SHORE
- Procedure:** Upon the judge's signal to begin, the handler will direct dog to board the platform on the steward's boat (with only a boat steward rower, no substitute steward). Handler may assist the boat steward by pushing the steward's boat away from shore and then will proceed to the handler's boat, which will row out to the marker and hook up to the marker. At the same time, the steward's boat will row to the opposite marker. On the judge's direction, handler will throw two dummies, 50 feet apart from each other and at least 25' from the stern of each boat (in the "diamond" pattern set forth in the Courier Water Dog Double-Directed Retrieve exercise). The package will determine which dummy (lake side or shore side) is thrown first. On the judge's signal, the handler sends the dog to retrieve the first dummy. When the dog delivers it to the handler, he/she sends the dog to retrieve the second dummy and the dog delivers it to the handler.
- Note:** The exercise begins once the dog has boarded the steward's boat. If the dog leaves the platform after the exercise has begun, and any time prior to the judge directing the handler to send the dog for retrieval, the dog shall fail. Timing begins when the dog has been commanded to retrieve the dummies.
- Note:** The handler may direct the dog to the correct dummy at any time before or after it enters the water. The dog may not touch the wrong dummy. The dog remains in the water until both retrieves are completed. The order of the dummy retrieval shall be determined at the judge's briefing. The order of the dummy throw shall be determined by the package. Should drastic climatic changes occur between the participants, the judge may change the order of the retrieve.

Note: If a throw is determined to be inadequate (too close to the stern of either boat or less than 35' apart), the dummies will be retrieved and re-thrown from the handler's boat.

Note: While the dog is returning to the handler boat with the second dummy, the land steward shall place the articles on land for the next exercise.

Package A: Lake side thrown first

Package B: Shore side thrown first

Package C: Lake side thrown first

Package D: Shore side thrown first

2. Shore Retrieve with Discrimination

Purposes: Demonstrates the dog's willingness to leave the water and go to shore on command, and ability to follow handler's directions in locating the correct object, whose placement the dog did not see.

Equipment: Boat Gear bag (with buoy ball inside) Float Line (Package A & B) Fender (Packages C & D)

Time: 2 minutes

Starting Position: BOAT

Procedure: During the first exercise, the land steward places the two articles on shore in the test area. The articles shall be placed at least 3 feet, but no more than 10 feet apart. The articles will be placed at the same distance behind the 3' line at the judge's discretion, a minimum 3 feet behind and not more than 25 feet behind the 3' line. The articles will be parallel to the 3' line. The floating line may be placed in a pile or stretched out, at the judge's discretion. The handler is given time to visually locate the articles. On the judge's signal, the handler sends the dog into the water and directs the dog towards shore to find and retrieve the correct article. The article to be retrieved shall be determined by the package. Once the dog enters the water with the correct article, the dog must return to the handler and deliver it without leaving the water again. The dog may pick up the wrong article, but may not enter the water with the wrong article.

Note: The judge will determine how far behind the 3' line the articles will be placed. All persons (excluding the judge who will position him/herself in the safest manner based on the test area configuration) must remain approximately 25' away from the articles. The dog is permitted to cross the 3' line in the process of retrieving the article so long as the dog is working.

Note: Once the dog is halfway back to the handler boat, the substitute steward shall pick up the second article and will board the steward boat and head out to the marker to hook up. The substitute steward boat need not wait for the dog to return to the handler boat before rowing out to the appropriate marker.

Package A: Gear bag (with buoy ball inside) & Float Line. Gear bag will be retrieved.

Package B: Gear bag (with buoy ball inside) & Float Line. Float line will be retrieved.

Package C: Gear bag (with buoy ball inside) & Fender. Fender will be retrieved.

Package D: Gear bag (with buoy ball inside) & Fender. Gear bag will be retrieved.

3. 3-way Pouch Exchange

Purpose: Demonstrates the dog's willingness to follow commands to make multiple deliveries to multiple locations.

Equipment: 2 courier pouches 2 boats

Time: 3 minutes

Starting Position: BOAT

Procedure: Starting position will have the dog and handler on the handler's boat, hooked up to one marker. Substitute steward is on steward's boat, hooked up to the opposite marker. Land steward will be positioned on shore, approximately 6 feet behind the 3' line.

Package A: On the judge's signal, handler commands dog to jump into the water, and directs the dog to take a pouch in its mouth to the land steward. The land steward will be standing with a pouch held out in front of him/her. The land steward will hold the pouch out towards the dog when the dog has crossed the 3' line with one foot, approximately at the level of the dog's nose. The land steward will take the first pouch from the dog and will give the dog the second pouch and then turn and walk away. Handler will direct the dog to take the pouch to the substitute steward. The substitute steward will take the second pouch and direct the dog to return to the handler without a pouch. The exercise is complete when the dog reaches the handler's boat without the pouch.

Package B: On the judge's signal, handler commands dog to jump into the water and directs the dog to go to shore (without a pouch). The land steward will be standing with a pouch held out in front of him/her. The land steward will hold the pouch out towards the dog when the dog has crossed the 3' line with one foot, approximately at the level of the dog's nose. The land steward will hand the pouch to the dog and then turn and walk away. Handler will direct the dog to take the pouch to the substitute steward. The substitute steward will take the first pouch from the dog and give the second pouch to the dog and direct the dog to return to the handler. The dog will return to the handler's boat and deliver the pouch to hand. The exercise is complete when the handler takes delivery of the pouch.

Package C: On the judge's signal, handler commands dog to jump into the water and directs the dog to take a pouch in its mouth to the steward's boat. The substitute steward will take the first pouch from the dog and give the second pouch to the dog and direct the dog to shore. The land steward will take the pouch from the dog and will then turn and walk away. Handler will call the dog to return to the handler's boat (without a pouch). The exercise is complete when the dog reaches the handler's boat without the pouch.

Package D: On the judge's signal, handler commands dog to jump into the water and directs the dog to the steward's boat (without a pouch). The substitute steward will give the first pouch to the dog and direct the dog to shore. The land steward will be standing with a pouch held out in front of him/her. The land steward will hold the pouch out towards the dog when the dog has crossed the 3' line with one foot, approximately at the level of the

dog's nose. The land steward will take the first pouch from the dog and will give the dog the second pouch and then turn and walk away. Handler will call the dog to return to the handler's boat. The exercise is complete when the handler takes delivery of the pouch.

Note: The dog is required to carry the pouch in its mouth; it may not be attached to the dog's harness. The land steward will be provided by the host club (this will be the land steward assigned to assist in the Versatility class). The land steward will not call the dog to shore. The land steward will not speak to the dog nor give hand signals to take delivery of the pouch or to direct the dog in any way. The substitute steward will not talk to the dog until it is halfway to the substitute steward's boat, and only during the portion of the exercise that the dog is required to go to the substitute steward's boat (for example, if the dog is headed to the substitute steward's boat and is supposed to be going to shore, the substitute steward may not give the dog direction). The handler may speak to the dog at any time.

4. Net Retrieve with Distraction

Purpose: Demonstrates the dog's training and strength in working with the crew to simulate a historical task of the breed.

Equipment: Fishing net (on steward's boat), Dummy (on handler boat) 2 boats with platforms

Time: 3 minutes

Starting Position: BOAT

Procedure: Steward, with the fishing net, is on the second boat at the opposite marker from the handler's boat. On the judge's signal, the dog will be sent to retrieve the fishing net. When the dog reaches the steward's boat, the steward directs the dog to take the floating line end of the fishing net in its mouth. When the dog has turned and is facing in the direction of the handler, the handler will toss the dummy as a distraction. The dummy will be tossed in a triangular pattern, either towards shore or away from shore (as determined by the judge during the briefing). The dog will continue to deliver the fishing net to the handler.

Once the handler has taken delivery of the fishing net, the dog will be directed to retrieve the dummy. The dog will remain in the water until the dummy has been delivered to hand.

Note: The steward may not physically signal or talk to the dog before it reaches the halfway mark. The net shall be on the platform of the steward's boat at the start of the exercise (it may be contained in a basket or similar container). Once the net has been placed on the platform, the steward may not touch the net until the dog has reached the halfway mark, at which point the steward may move the floating line end into position for the dog to take delivery.

Note: The dummy must be tossed before the dog has reached the halfway mark back to the handler boat with the net so that the dog can see the dummy land in the

water. If the handler fails to toss the dummy before the dog reaches the halfway point, it will be an automatic disqualification. The dummy may not be thrown by the rowing substitute steward in this exercise.

Note: If the dog releases the floating line end of the net, the substitute steward may reel the net in part way to prevent the dog from getting tangled in the underwater net (the start of the net shall be designated by a differently colored or striped float). The substitute steward may not hand the net to the dog again and may not reel in the net past the differently colored/striped float unless the dog is in perceived danger.

5. Overboard Article Retrieve with Placement (June 21, 2016 updates)

Purpose: Demonstrates the dog's willingness to retrieve an object, immediately followed by an article placement. Shows the dog's ability to follow multiple directions in succession, and willingness to relinquish an object on command at a distance from the handler.

Equipment: 2 Boats
Fender (Package A, C & D)
Gear Bag with buoy ball inside (Package B)
Buoy Ball (Package A, B & C)
Retrieving Dummy (Packages B & D)

Time: 4 minutes

Starting Position: BOAT

Procedure: The substitute steward at will row within 25' of the handler's boat, with the sterns facing each other; the substitute steward will place the overboard article in the water in between the two boats. The article shall not be splashed into the water. The Substitute Steward's boat will row back towards the far marker and proceed to shore. If there are windy conditions, the judge may instruct that the articles be dropped closer or farther away from the handler's boat, depending upon conditions. On the judge's signal, handler will send dog to begin the exercise.

The dog must retrieve the article and upon delivery of the article, the handler will direct dog to take the go-out article and proceed with placement of the article, as in the Courier level Buoy Ball Placement exercise. The article may not be thrown in the water for the dog to pick up, but must be handed to the dog.

Package A: Fender shall be placed overboard. The buoy ball shall be used for the go-out article.

Package B: Gear bag (with buoy ball inside) shall be placed overboard. A retrieving dummy shall be used for the placement article.

Package C: Buoy ball shall be placed overboard. The fender shall be used for the placement article.

Package D: The fender shall be placed overboard. A retrieving dummy shall be used for the placement article.

Versatility Packages

Package A

1. Double-directed: Lake side thrown first
2. Shore retrieve with discrimination: Gear bag (with buoy ball inside) & float line. Gear bag is retrieved.
3. 3-way Exchange: Boat to shore first (with pouch) to 2nd boat (with pouch) to handler (no pouch)
4. Net retrieve with distraction
5. Article overboard with placement: Fender retrieve, buoy ball placement

Equipment Distribution:

Handler: 2 dummies & one pouch
Shore: One Pouch, Gear bag (with buoy ball inside) & Float Line
Substitute Steward: Net, Fender

Package B

1. Double-directed: Shore side thrown first
2. Shore retrieve with discrimination: Gear bag (with buoy ball inside) & float line. Float line is retrieved.
3. 3-way exchange: Boat to shore first (without pouch) to 2nd boat (with pouch) to handler (with pouch)
4. Net retrieve with distraction
5. Article overboard with go-out: Gear bag with buoy ball retrieve, dummy placement

Equipment Distribution:

Handler: 2 dummies
Shore: 1 pouch, Gear bag (with buoy ball inside) & float line
Substitute Steward: Net, 1 pouch, & picks up gear bag during exercise 2, before heading to marker

Package C

1. Double-directed: Lake side thrown first
2. Shore retrieve with discrimination: Fender & gear bag (with buoy ball inside). Fender is retrieved.
3. 3-way Exchange: Boat to 2nd boat (with pouch) to shore (with pouch) to handler (no pouch)
4. Net retrieve with distraction
5. Article overboard with placement: Buoy ball retrieve, Fender placement

Equipment Distribution:

Handler: 2 dummies, 1 pouch
Shore: Fender, Gear bag (with buoy ball inside)
Substitute Steward: Net, 1 pouch, & picks up gear bag during exercise 2 before heading to marker

Package D

1. Double-directed: Shore side thrown first
2. Shore retrieve with discrimination: Gear bag (with buoy ball inside) & fender. Gear bag is retrieved.
3. 3-way exchange: Boat to 2nd boat (no pouch) to shore (with pouch) to handler (with pouch)
4. Net retrieve with distraction
5. Article overboard with placement: Fender retrieve, dummy placement

Equipment Distribution:

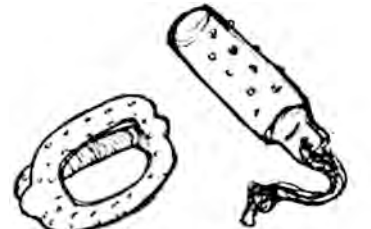
Handler: 2 dummies
Shore: Gear bag (with buoy ball inside), Fender, 1 pouch
Substitute Steward: Net, 1 pouch, & picks up fender during exercise 2, before heading to marker.

Description and Illustration of Regulation Equipment

All regulation equipment must be in good working repair. Any piece of equipment, in the opinion of the Judge, which is considered to pose a risk to the dog, handler or Steward will be deemed not suitable for use in the given water trial. Identical equipment refers to size, material, color and any attachments.

Retrieving Dummy All levels

A one-piece commercial retrieving dummy made of canvas, neoprene or plastic material that is cylindrical and uniform in shape throughout its length, with a diameter of 2" to 4" and a length of 8" to 15". A line no longer than 18" may be attached to facilitate throwing.



Harness All levels
A non-restrictive harness, properly sized, in good working condition and appropriate for water training.



Bait Bucket, Whiffle Ball, or 3 Handle Fetch Toy Apprentice level

A modified plastic 4-1/2 quart bait bucket. The bait bucket measures approximately 6" high by 7-1/2" in diameter. It is weighted with approximately three pounds of stones or other non-shifting material. (See Appendix B for modification specifications.) 3 Handle Fetch Toy. The whiffle ball must be weighted so that it sinks immediately. It will sink faster if an additional five holes are drilled in the bottom.



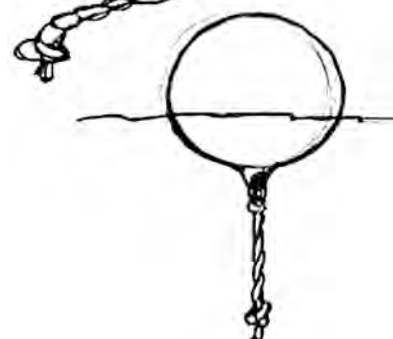
Floating Line Apprentice, Working, Courier, Versatility levels

A 10' line 3/8" or larger with three to five commercial floats attached to maintain the line at the water's surface. The floats shall be no larger than 4" diameter by 8" long. The line may be knotted to hold the floats in place and at the ends. (10% ± line length tolerance.)



Buoy Ball Working, Courier, Versatility levels

A spherical floating buoy (such as a standard AO marine buoy) between 10" and 18" in diameter, with a 6"-18" line (of any diameter) attached. (10% +/- buoy ball diameter and line length tolerance.) At the Working level only, the line must be non-floating and hang straight down in the water. When the ball floats in the water, the attachment point of the line must lie underwater and at the bottom of the ball (see illustration). The line and/or the attachment point may be weighted to insure proper positioning.



At the Courier level the line and/or attachment point may, but need not, hang under the ball.

Gear Bag

**Working, and
Versatility levels**

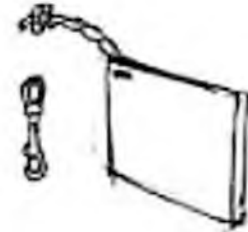
Any smooth-sided bag of flexible material (fabric and/or mesh) that is large enough to hold the retrieving dummy, floating line, and buoy ball. It may have a handle and/or a towline of up to 4' attached. (10% ± line length tolerance.)



Courier Pouch

**Courier and
Versatility levels**

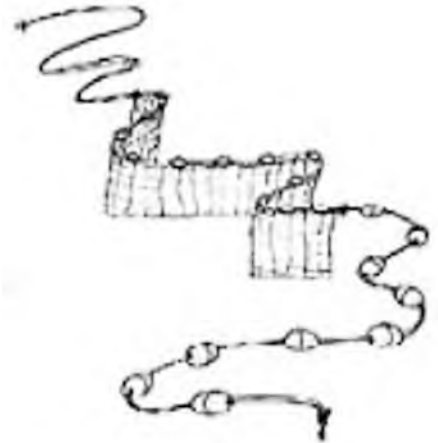
A floating article approximately 6" by 6" and 1/2 to 1" thick that is carried in the dog's mouth. A 3" to 8" line may be attached to the pouch to assist the dog's grip. The pouch can be made by cutting a flat piece of Styrofoam to size, placing it inside a plastic zip-closure baggy, and covering the baggy with sturdy nylon pack cloth. You need two identical pouches. A quick release snap may be used for attaching to the harness.



Fishing Net

**Courier and
Versatility levels**

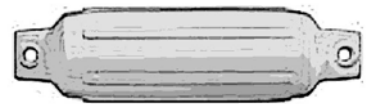
A commercial weight fishing net that is no smaller than 20' in length and 3' in depth to which sufficient commercial floats have been attached to maintain the top of the net at the water's surface. A 20' line with 5 to 10 commercial floats is attached to one end of the net and a handling line of at least 25' is attached to the opposite end, for a total length of at least 65'. (10% ± tolerance for all dimensions except that the total length must be a minimum of 65'. Appendix C)



Boat Fender

Versatility level

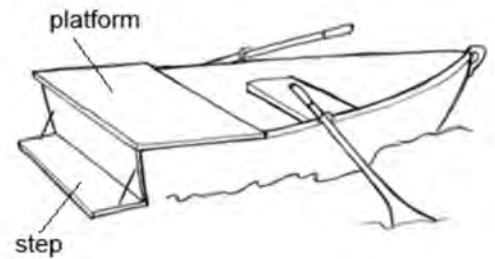
Marine boat fender with a diameter of 4 1/2 -6" and a length of 16-20". Lines no longer than 18" may be attached.



Row Boat**All levels**

A non-motorized boat with oars that is USCG rated for a minimum of three persons. The boat shall have a flat boarding platform attached on/inside the stern that is covered with non-skid material and large enough to support the dog and handler. All host clubs will have available upon request by the handler a boat equipped with a step operable by only the handler for use at the handler's discretion to aid the dog in boarding the boat from the water. The step will be of sufficient size to allow the dog to safely board the boat and will be covered on all sides with non-skid material. The step may be attached directly to the stern of the boat and/or to the platform. When not in use, the step will fold flat against the stern and be held securely out of the way. Step will be held in the raised position at all times except the step may be lowered when the dog is half way back to the boat, with the article or in the case of multiple articles, the final article. The exception to this will be for the Working level Articles Overboard. The step may be lowered after the second article has been delivered to hand. Boat shall be equipped with two anchors to be used as necessary.

Note: Examples of boat steps used are provided in Appendix D.

**Site Markers****All levels**

Markers must stick up out of the water a minimum of 12-18". Markers will be striped within 6" of the top of the marker with a minimum of one dark-colored striped, at least 2" wide. White 4" diameter PVC.

(See directions, Appendix E.)

** Boats and Markers will be provided by the host club only.*



Administrative Guidelines

Declaration of Authority

The Portuguese Water Dog Club Of Canada (PWDC) will be the only organization to recognize and sanction Portuguese Water Dog water trials in Canada. The PWDC shall be empowered to certify as a Junior Water Dog, or award the title of Apprentice Water Dog, Working Water Dog, Courier Water Dog or Courier Water Dog Excellent or award the Versatility Award to any purebred Portuguese Water Dog individually registered with the CKC or individually registered with a foreign registry organization recognized by the CKC or any Portuguese water dog with CKC ILP (indefinite listing privilege) number who passes the relevant test exercises set forth in this water trial manual. Whenever a difference of interpretation of an exercise occurs, the PWDC Water Trial Committee shall by majority vote decide an interpretation that will be binding on all judges, exhibitors, etc. This interpretation shall be immediately disseminated to the PWDC Board, all Water Trial judges, and local clubs, the latter of whom shall be responsible for posting it in any Premium lists (or if Premium lists have already gone out, in the Judging Program) that is required to be sent to those entered in upcoming trials by that club. Clarifications are to be sent in writing, and included in the Courier as they arise. The PWDC Board of Directors shall be the final authority regarding disciplinary matters and protests arising in connection with any PWDC sanctioned water trial.

Duties Of The PWDC

The PWDC Water Trial Committee (PWDC Committee) shall review and rule on the acceptability of all applications to host a sanctioned water trial. They shall maintain a record of all sanctioned water trials. Maintain the Judges worksheets for each such trial as forwarded to the PWDC committee by the water trial host. Maintain a record of all certified and titled dogs. They shall provide to the owner of each (dog(s) certificate(s) reflecting the certification or title(s) earned by the dog and shall publish attainment of such certifications or titles in the WATERLOG.

The PWDC shall permit the use of the highest title earned by a dog following the dog's registered name and CKC titles in all official PWDC publications. (The Junior Water Dog certification is not a title for this or any other purpose.).

Water trial host

Only PWDC sanctioned clubs and the national club may apply to host a PWDC sanctioned water trial. A potential water trial host shall form among its members a water trial host committee. (The host committee) shall designate a host chairperson and a trial secretary, both of whom must be voting members of the host committee and either active associate or foreign members of the PWDC. The water trial host shall have full responsibility for actions taken by the host committee and its authorized representatives in planning and conduct of a water trial.

Application to Host a Sanctioned Water Trial

An applicant must complete the water trial application form contained in this manual and return it with a non-refundable fee of \$25.00 (payable to the PWDCC) to the PWDCC committee chairperson. The completed water trial application form, fee and proof of insurance must be received by the PWDCC committee chairperson four months in advance of the proposed water trial date. If insurance expires before the water trial date then a new binder of insurance must be sent to the PWDCC trial chairperson 30 days prior to the water trial. On the day of the water trial the insurance binder must be posted at the water trials secretary's table.

The water trial application shall be reviewed by the PWDCC water trial committee within 30 days after the PWDCC committee chairperson has received the completed application form and the fee and proof of insurance. (1) Either the water trial application form will be returned with approval indicated on the applicant's form or (2) A written explanation of reasons for denial of the application will be sent to the applicant's trial secretary.

PWDCC sanctioned water trials may not conflict with the PWDCC NATIONAL SPECIALTY.

Host Committee Duties and Authority

After approval by the PWDCC committee The Host Committee, shall be the official representative of the PWDCC in the administration of the trial.

The primary responsibility of the Host Committee shall be the planning and safe and orderly conduct of a water trial for as many participants as practicable. In discharge of this responsibility, the Host Committee shall:

1. Select and set up a trial site (see "Trial Site");
2. Select a Judge or Judges for the trial (see "Trial Judge Selection; Judging Assignments");
3. Arrange for a veterinarian and at least one lifeguard to be available during the trial (see "Trial Veterinarian Selection" and "Trial Lifeguard Selection");
4. At least two months in advance of the closing date for the trial, the host committee must advertise the trial in the Waterlog and in the Courier;
5. Provide equipment for use by exhibitors and Judge(s) (see "Trial Equipment");
6. Provide Stewards to assist exhibitors and Judge(s) (see "Trial Steward Selection; Steward Duties");
7. Maintain a record of all fees/moneys collected and expenditures incurred in connection with the trial;
8. Investigate and decide any protests which arise in connection with the trial (see "Grievance Procedure");
9. The water trial rules specifically reserve certain issues for decision by the Judge, particularly matters relating to safety, cancellation of the trial and the scoring and working of competing teams (see "Trial Judge's Authority and Duties"). The Host Committee shall decide all other matters arising at the trial grounds during the trial. The Host Chairperson or Trial Secretary, either singly or together, shall have the authority to act on behalf of the Host Committee in deciding such matters and dealing with violations of the water trial rules not reserved for decision or action by the Judge.

Trial Judge Selection: Judging Assignments

The host committee shall select a Judge or Judges from the active Judges list. The PWDCC committee maintains a list of active Judges qualified to Judge a sanctioned water trial. The host committee may obtain this list from the PWDCC water trial chairperson or from www.pwdcc.org

A club may not use the same water trial Judge in 2 consecutive years. A club may use an individual Judge for no more than three consecutive days per year.

No Judge shall be assigned to Judge more than eight hours using the following formula. 6 JWD/hour 4 AWD/hour 4 WWD/hr 3CWD/hr and 3 VWD/hour. No Judge shall be assigned to Judge more than 35 teams in one day. In addition one half to one hour for rest and/or meals must be allowed if more than five hours will be required under this formula to Judge the teams entered.

If a national specialty host committee adopts a policy excusing teams from competition at a national specialty after one exercise has been failed (see "Failure Policy") a Judge shall be assigned to Judge no more than 42 teams and the formula may be revised to 8 JUDGEWD/hour, 7 AWD/hour 5 WWD/hour 4 CWD/hour and 4 VWD/hour. If the national host committee chooses to excuse teams after 2 failed exercises the original formula and 35-team limit shall be used.

Trial Judge's Authority and Duties

The Judge shall be responsible for knowing the water trial rules.

The Judge shall examine the test area on the day of the trial and shall determine if all the required equipment is present and safe to use, if weather conditions are favorable for a safe trial and if the test area is safe and properly defined. The Judge shall have the authority to postpone or delay within daylight hours any trial because of unsafe conditions and shall have the final decision in the matter of cancellation.

During the trial the decisions of the Judge shall be final on all matters affecting the scoring and working of teams. When a difference of opinion exists between a provisional Judge and the approved Judge regarding whether or not a team earns a certificate, title or versatility award, the approved Judge shall have the authority to decide.

The Judge shall inspect all equipment used by an exhibitor in a test to verify that it is regulation equipment. (Such inspection of equipment may be delegated to a Steward.)

The Judge will take up a position so as to observe adequately each exercise performed.

The Judge will not warn or interfere with a working team, except for reasons of safety, nor will he/she encourage any team after the team has started an exercise.

Judges are not permitted their own variations on exercises and must Judge all competitors at a test level by the same standards of performance. However, some adaptation of exercises to site and weather or other unusual conditions may be required. Such adaptations are within the discretion of the Judge. They may include, without limitation, determinations as to whether an article has drifted to the extent that it should be declared out of bounds and repositioned for a competing team, whether a moored boat should be unmoored and allowed to "chase" an article, whether to use an extra Steward in a boat, and whether stated time limits should be varied in accordance with the following paragraph.

The Judge will time each team with a stopwatch to determine if the team completes an exercise within the required time limit. (The Judge may delegate the task of timing to a Steward.) The Judge may allow a team a longer time for an exercise than the time stated in the test exercise description if, in the Judge's opinion, 1) the dog is continuing to work at the exercise as commanded and 2) site or weather conditions or other unusual factors make the stated time limit too short or render it impossible to impose the same time limits for every exhibitor at a test level.

The Judge will conduct a briefing for participants before the start of the judging at each test level. The briefing should summarize the test exercises at that level, explain to the extent possible any adaptations to be made in exercises because of site conditions or other considerations and allow participants a chance to ask questions.

The Judge shall keep a written record of each team's score on an official Judge's worksheet and shall include on that worksheet an explanation for any team that is failed, disqualified or excused. The completed Judge's worksheets shall be released to the Trial Secretary at the conclusion of the trial.

The Judge shall inform each team as to whether it passed or failed the test level at the end of the team's test.

The Judge shall fail any team which does not, in performing an exercise, meet the requirements of the test exercise description in this Water Trial Manual or which does not conform to the water trial rules.

The Judge shall fail any team whose dog leaves the land test area during an exercise, absent a life-threatening situation, unless, in the Judge's opinion, the dog is continuing to work at the exercise as commanded while leaving and outside the test area.

The Judge shall fail a team on any exercise where he/she becomes aware of any double handling, unless the double handling results from an error made by an official trial Steward. In the case of double handling through an official trial Steward's error, the Judge shall retest the team on the exercise affected.

If, in the Judge's opinion, any other error by an official trial Steward has unfairly benefited a team's performance, the Judge shall retest the team on the exercise affected. In the case of such an error by a substitute Steward, the Judge shall fail the team on the exercise.

The Judge shall excuse any team in which the dog appears, in the Judge's opinion, to be ill or injured. Solely at the Judge's discretion, a dog that exhibits lameness or other physical difficulty in performing may be excused or allowed to participate in a test.

The Judge shall excuse any dog whose handler withdraws the dog from competition, and any dog that appears to the Judge to be at risk of drowning.

The Judge may disqualify any team whose dog is vicious, bites a person or, more than once, fights with another dog on the day of the trial.

If, in the Judge's opinion, a team's performance on any exercise has been prejudiced by unusual conditions or by interference from activity in or outside the test area, the Judge may re-Judge the team on the exercise affected and, if needed, may allow the dog time to rest. The Judge may reposition any handler or dog to accomplish an exercise when their performance has been or would be affected by unusual conditions.

Dog Aggression

In the event that a Dog Aggression incident occurs at a water trial, the Trial Secretary or Trial Chairperson will notify the PWDCC Water Trial Committee Chairperson by phone no later than the conclusion of the day of the trial. The formal written report will follow within 72 hours. Reports can be sent electronically.

The WTC will review the report and submit a report to the PWDCC Board within 72 hours. The PWDCC Board will review the findings and reports and will respond to the dog's owner/handler within 10 days of receiving the recommendations from the Water Trial Committee.

Excusals:

A Judge SHALL excuse any dog that in the opinion of the Judge:

Menaces, threatens or exhibits any sign that it may not be safely approached in a normal manner by the Judge or official trial Stewards. Signs may include growling, showing or snapping its teeth and rolling its eyes. Any dog that displays such demeanor is a threat the Judge and official trial Stewards.

Once the dog has been excused, the Judge will write on the judging sheet: Excused: Menacing and sign it. Excused for threatening or menacing by Judges on 2 occasions will be administratively disqualified by the PWDCC Board. The trial secretary's report that is submitted to the PWDCC Water Trial Committee Chairperson must include a report with the dog's name, registration number and handler/owner for tracking purposes.

Disqualifications:

By Event Committee:

Any dog, that in the opinion of the Host Water Trial Committee members attacks a person or another dog at a sanctioned water trial warm up day or during the actual trial and is believed by that Event Committee to present a hazard to persons or other dogs, shall be disqualified by the Event Committee. The Trial Secretary shall file a report with the PWDCC Water Trial Committee Chairperson to include: the dog's name, registration number, description of the incident and the handler/owner's name and contact information. The Event Committee will complete the appropriate form for all parties to sign and notify the handler immediately that the dog is disqualified from that trial and future trials until the PWDCC Board determines the dog's eligibility to compete at water trials in the future.

By the Judge

A Judge shall disqualify any dog, in his/her opinion, attacks any person in the ring, and leaves the ring to attack anyone else or another dog. An Attack is defined as a bite or an attempt to bite anyone, including its own handler, without valid extenuating circumstances, for example accidentally plays biting. The Judge will mark the score sheet "Disqualified, attacked". The Trial Secretary shall file a report with the PWDCC Water Trial Committee Chairperson to include: the dog's name, registration number, description of the incident and the handler/owner's name and contact information. The Judge will complete the appropriate form for all parties to sign and notify the handler immediately that the dog is disqualified from that trial and future trails until the PWDCC Board determines the dog's eligibility to compete at water trials in the future.

The Water Trial Secretary will ensure delivery of a report, as noted above, within 72 hours of the end of the last days' trial to the PWDCC Water Trial Committee Chairperson. The PWDCC Water Trial Committee will review and submit the report within 24 hours to the PWDCC Board.

The PWDCC Board will review the forms and reports and will respond to the dog's owner/handler within 7 days of receiving the recommendation to disqualify the dog.

Additional Forms

The Water Trial Committee has created the following forms to be provided to the Host Clubs.

In the event that there is a dog aggression situation, the forms would be filled out by the Trial Secretary, or Chair, and the officiating Judge.

Dog Aggression Form

Judge's Report of Dog Aggression

Trial Veterinarian Selection

The Host Committee shall select a veterinarian who is licensed in the province where the trial is held and who will be available for emergencies during the trial.

Trial Lifeguard Selection

The Host Committee shall select at least one person trained in water safety and able to perform CPR to act as a lifeguard at the trial. At least one such lifeguard must be present on the trial grounds during the trial.

Trial Steward Selection; Steward Duties

The Host Committee shall provide at least four Stewards per Judge to assist the Judge(s) and exhibitors. Any Steward whose duties involve being in or on the water must be able to swim. Any Steward whose duties involve handling a boat must have sufficient rowing skill to perform his/her duties competently. The Host Committee shall ensure that Stewards are adequately trained for their duties and have a working knowledge of this Water Trial Manual.

The selection and training of and the assignment of duties to Stewards may be delegated to a Chief Steward who will, with the advice of the Judge(s), oversee the Stewarding activities at the trial.

Duties of Stewards shall include:

1. Performance of the duties described in the test exercises and "Rules and Regulations for Water Trial Participants" in this Water Trial Manual,
2. Keeping unauthorized persons from the land and water test areas,
3. Ensuring that teams are available for judging in proper order,
4. Directing questions from handlers to the Judge(s) concerning scores, exercises or judging procedures,
5. Directing protests to the Trial Secretary, and
6. Reporting to the Judge, Trial Secretary, or Host Chairperson any violations of the water trial rules brought to their attention.

Duties of Stewards may include:

1. Time keeping for the Judge(s),
2. Registration and checking in of exhibitors upon their arrival at the trial grounds,
3. Inspection of equipment,
4. Acting as runners to carry information between water trial officials,
5. Posting of results and information for exhibitors and spectators, and the like.

Stewards shall not give information or instructions to exhibitors except as specifically instructed by a Judge and then only in a manner that clearly indicates that the instructions are those of the Judge.

A Steward shall be provided with a badge, hat, armband or other device that clearly identifies him/her as a Steward and shall wear the identifying device while performing his/her duties.

Substitute Stewards

A handler may substitute an individual of his/her choice to perform any or all of the functions otherwise assigned to a Steward during that handler's test, provided that the individual selected has trained with the handler and dog in question before the trial. Such an individual is referred to as a "substitute Steward." A substitute Steward should be named in the handler's official entry form or, at the discretion of the Judge and/or Trial Secretary, may be approved on the day of the trial no later than the end of the Judge's briefing for the test level in which the handler is competing. In either case, the substitute Steward must sign an official entry form acknowledging the "hold harmless" agreement before he/she will be allowed to participate in the handler's test.

A handler is allowed the use of one personal substitute Steward when competing at the Courier and Versatility levels. The use of a personal substitute Steward is allowed for the Measured Swim at the Junior and Apprentice levels. For all other exercises at any level, the use of a personal Steward must be approved by the Judge and Trial Chair prior to the briefing.

Stewarding Errors

A substitute Steward will be assumed to have the knowledge of the Water Trial Manual and skills necessary to the performance of his/her duties. An error made by a substitute Steward may result in a failing score for the handler in the exercise where the error is made. An error made by a Steward provided by the Host Committee will not be grounds for a failing score in the exercise in which error is made, although the Judge may, at his/her discretion, require the team to be re-tested on the exercised affected.

Trial Secretary's Duties

The Trial Secretary shall:

1. Publish a premium list for the water trial (see "Premium List");
2. Accept completed entry applications from eligible entrants;
3. At least two weeks prior to the date of the trial, send to each entrant an acknowledgment of his/her entry, with the test level entered and the identifying number under which the entrant will compete; a judging schedule showing the total number of entries at each test level, the order in which teams will be Judged and the time(s) at which the judging and the Judge's briefing will commence; and notice of any significant changes in information previously published in the premium list;
4. Notify all those whose entries are not accepted and give the reason for non-acceptance;

5. Compile and publish a catalog for the day of the trial;
6. Take custody of the completed Judge's worksheets;
7. Receive, investigate and forward to the Host Committee protests arising in connection with the water trial (see "Grievance Procedure"); and
8. Compile and send to the PWDCC Committee the Trial Report (see "Trial Report").

Premium List

The premium list for the water trial shall contain the following:

1. Date and location of trial;
2. Name of water trial host organization;
3. Closing date (shall be at least 18 days before the date of the trial);
4. Test levels to be offered;
5. General eligibility requirements (see "Eligibility") and other limitations and restrictions, if any;
6. PWDCC officers;
7. Host Committee members;
8. Address and telephone number of Host Chairperson, Trial Secretary or some other person to answer questions;
9. Name(s), address(es) and assignments of both approved and provisional Judges.
10. Order of test level judging (if different from the order described in "Judging Order");
11. PWDCC source for obtaining copies of this Water Trial Manual;
12. Two CKC-type entry forms meeting the requirements set out under "Entry Forms" in this Water Trial Manual;
13. Veterinarian on call at the trial;
14. Lodging information; site directions;
15. Statement of refund/cancellation policy;
16. Statement of policy on eligibility of bitches in season;
17. Notice regarding any discontinues after failure rules that will be in effect at the trial (see "Failure Policy");
18. Statement regarding operation of waiting lists, if any.
19. Any categories of non-regular entries, which will be permitted at the trial, and rules applying to those entries, including priorities among them.
20. Procedures for moving entries up to higher test levels, including day of trial move-ups, if permitted.

The premium list may also include advertising and information about awards, special events and additional activities.

Entry Forms

The entry forms included in the premium list shall contain the following: date and location of the trial, name of the water trial host organization, closing date, entry fee(s) required, name to whom entry fees are payable, name and address to whom entries are to be sent, test levels offered, and a PWDCC hold harmless agreement like that found on all CKC show entry forms.

The entry forms shall request the owner's name, address, and telephone number; the dog's registered name, PWDCC titles, CKC or foreign registration number or CKC ILP number, sex, date of birth and breeder; name, address, email address and telephone number of handler if different from owner; the test level entered by the handler and dog; name of any substitute Steward; signature of owner, handler (if different from owner) and substitute Steward acknowledging the hold harmless agreement.

Entry Fees, Refunds, Cancellations

Entry fees payable by entrants at a water trial and refund/cancellation policies applicable to entries shall be determined by the Host Committee and shall be published in the premium list.

Limited Entry: Waiting Lists and Random Draw

The Host Committee shall determine the test levels to be offered and the number of entries that can be accommodated at a trial. All test levels need not be offered at any one trial. However, a water trial host must offer each titling level and the JWD level at least once in any year in which it hosts a water trial. The Host Committee may limit entries so that a dog may not be entered in more than one level at one trial. The Host Committee must limit entries for the trial so as to meet the requirements regarding judging assignments. (See "Trial Judge Selection; judging Assignments".) All limitations and restrictions on entries shall be published in the premium list.

Completed entries shall be accepted on a first come basis. Entries will close when the published limits are reached, even if the closing date has not arrived. The Host Committee must limit entries for the trial so as to meet the requirements regarding judging assignments. (See "Trial Judge Selection; judging Assignments") All limitations and restrictions on entries shall be published in the premium list. However, water trial entry and closing dates must be the same for all (club members and non-members).

The Host Committee may, but need not, establish a waiting list through which entries received in excess of the published limits may be accepted as positions become open due to withdrawals, etc. The existence and operation of any such waiting list must be described in the premium list.

A host club may conduct a random draw of entries. Conducting a random draw is useful if entries in excess of trial limits are expected. If a random draw will be used, it must be specified in the premium list. Entries received during the draw period are treated equally without regard to date/time received.

Conducting a Random Draw

Draw Period

- Club determines a draw period during which time entries are accepted for the random draw.
- The start time and date of the draw period shall be the same as the opening date.
- The draw period must be at least seven (7) days in length and must have a defined finish date and time.

Accepting Entries During the Draw Period

- All entries received during the draw period shall be accepted for the random draw and shall be treated equally without regard to date received or any other criteria.

Guaranteed Entries for Trial Workers

- Branches and/or Regional Clubs may provide up to five 'Guaranteed Entries' for water trial workers. PWD Water Trial entry and closing dates must be open simultaneously to members and non-members.
1. The club may guarantee entry spots for trial workers who have agreed to work at the trial.
 2. The maximum number of dog entries that may receive guaranteed entry spots are as follows:
 - 5 dog entries for the water trial site
 - 5 additional dog entries for each additional water trial site if the sites are run concurrently.
 3. These guaranteed entries shall count in the total allowed trial entry.

Conducting the Random Draw

- If the stated entry limit(s) is exceeded during the draw period the club shall conduct the random drawing from all entries received. Otherwise, the random drawing is not necessary.
- The random drawing shall be held within 48 hours of the end of the draw period specified in the premium. The date, hour and location of the draw must be stated in the premium.
- In conducting the drawing for entries, the Trial Secretary shall avoid any method that raises any questions as to its randomness and impartiality.
- One drawing shall be held for each trial. The Trial Secretary or a group of Trial Secretaries shall conduct the draw.
- The Trial Secretary(s) selects individual dog entries (or numbers assigned to each entry) at random up to the stated limits.
- When the allowable entry limit has been drawn, all remaining entries shall be drawn for a position on the Wait List. If openings in the trial become available before the closing date the openings shall be filled in order by entries on the waiting list.

Accepting Entries After the Draw Period

1. Clubs may continue to accept entries after the draw period, though all entries must be received prior to the closing date.
2. If the trial did not exceed the limit(s) during the draw period, all entries received during the draw period shall be accepted into the trial and entries received after the draw period shall be accepted on a first-come-first-served basis.
3. If the trial did exceed the allowable limit(s) and a random draw was conducted, clubs may elect to add entries received after the draw period to the end of the wait list(s) in order of receipt.

Eligibility

PWDCC sanctioned water trials shall be open only to purebred Portuguese Water Dogs individually registered with the CKC or individually registered with a foreign registry organization recognized by the CKC or Portuguese Water Dogs with CKC ILP (Indefinite Listing Privilege) numbers. A dog must be at least six months of age on the day of the trial to enter the Junior Water Dog level and one year of age to enter the Apprentice level, unless the dog has successfully passed the Junior level. All dogs must be in good health and in proper condition for the test level in which they are entered.

Bitches in season shall be eligible at the discretion of the Host Committee. The premium list must state whether they are eligible and under what conditions they may compete.

The minimum age for water trial participants is 9 years old. Participants between the ages of 9 and 18 must have a parent or legal guardian present at the site while they participate.

Neither a Judge nor any member of his/her immediate family or household nor any dog owned by a Judge or any such family or household member shall be eligible to compete at a trial where the Judge is officiating or performing an observer or provisional judging assignment. "Competing" shall include acting as a substitute Steward.

A dog may enter the Apprentice Water Dog titling level without having a Junior Water Dog Certificate if its is at least 12 months of age on the day of the trial (or as outlined in the first paragraph of this section). A dog must have earned an Apprentice Water Dog title in order to be eligible to enter the Working Water Dog level. A dog must have earned a Working Water Dog title to be eligible to enter the Courier Water Dog level. A dog must have earned a Courier Water Dog Excellent title to be eligible to enter the Versatility level. No dog may be entered more than once at the same test level at a trial.

A dog may enter any level below the highest title earned. This will be considered a Non-regular (exhibition) entry and will follow all rules pertaining to non-regular entries. However, at a National Specialty, the dog must be entered at its current titling level (regular entry) or the level below that current titling level (non-regular entry). No dog may be entered more than once at the same test level at a trial. No dog may be entered more than once at the same test level at a trial.

Regular and Non-regular Entries

Regular Entries: Only entries received by the trial secretary before the closing date can be regular entries. Regular entries include (1) entries for dogs that have not earned a title before the trial date at the test level entered, (2) entries at the Junior Water Dog level of dogs who have earned neither a certificate nor a title before the trial date and (3) Versatility entries at trials where the Versatility class is offered.

A dog may also continue to be a regular entrant at the level of its highest title or certificate for 30 days after earning that title/certificate. However, if a dog is entered at or moved to a higher test level during the 30 days, it may not be a regular entrant again at the lower level where it earned the title/certificate.

Non-regular Entries include: (1) entries received before the closing date "exhibition entries". These are entries of (1) dogs that have earned titles/certificates at the level entered more than 30 days before the trial date and, (2) dogs that have earned a title before the trial date and are entered at the Junior Water Dog level. Non-regular also include: (3) entries received after the closing date ("post entries"), including day of trail entries, 4) day of trail move-ups and (5) any other entries which do not qualify as regular entries.

The Host Committee shall decide whether and under what circumstances any non-regular entries will be permitted at a trial and must provide this information in the premium list. The Host Committee may, but need not, permit a dog to be entered as an exhibition entry at any test level up to and including the level of the dog's highest title or certificate at the date of the trial.

Priorities among Entries

Regular entries have the first priority for spaces at a trial. Exhibition entries, if permitted, have the next priority. Relative priorities among other non-regular entries are to be decided by the Host Committee.

Move-ups

Move-ups before the Trial: A regular entry may be moved to a higher test level at any time before the trial if the dog is eligible for the higher level. Non-regular entries may be moved to higher test levels before the trial if permitted by the Host Committee's rules. Procedures for moving entries to higher test levels are to be determined by the Host Committee and published in the premium list.

Day of Trial Move-ups: If day of trial move-ups are permitted at a trial, any team that passes a test level may, at that same trial, apply to enter the next higher level. These applications will be accepted to the extent time is available for judging such teams. Any team that enters on this basis will be excused after the first exercise failed.

Judging Order

Unless otherwise announced in the premium list or judging schedule sent to exhibitors, the order of judging of the test levels at a water trial will be lowest first, highest last, i.e., Junior Water Dog level first, then Apprentice, Working, Courier, and Versatility last.

Teams whose entries have been accepted for a water trial shall be assigned identifying numbers by a random drawing conducted by at least two members of the Host Committee within 24 hours after the closing date for the trial. The order of judging of teams within each test level shall run consecutively from lowest to highest identifying number. The judging order of pre-entered teams will be published in the judging schedule sent to exhibitors and in the trial catalog. Teams may be judged out of catalog order for reasons acceptable to the Judge or Trial Secretary.

Trial Equipment

The Host Committee shall provide at least the following items of regulation equipment: two identical retrieving dummies, two courier pouches and one of each of the underwater retrieving objects, floating line, buoy ball, gear bag and fishing net (see "Description and Illustration of Regulation Equipment"). The Host Committee shall also provide two regulation rowboats with platforms for each water test area, markers for the test areas and exhibitor numbers. The Host Committee shall further provide official Judge's worksheets and all other equipment needed by the Judge(s) to conduct the trial including clipboards, pens, stopwatches, lifejackets, etc. A Judge may, however, choose to use his/her own equipment.

Trial Site (Also see "Trial Site Diagram")

The water trial is designed to be conducted in an open body of water such as a lake, river or sea.

The Host Committee shall select a suitable location.

The "test area" shall mean both the land and water test areas.

The "water test area" shall start at the three-foot line and shall occupy at least 75' perpendicular to shore and 75' parallel to shore. These dimensions are minimum clearances that must be free of obstructions; they are not "boundaries" unless specifically stated as such elsewhere in this manual. Factors such as tides, winds, currents and other conditions may influence the configuration of the water test area at any given time. It shall be within the discretion of the Judge

to determine the boundaries of the water test area for purposes such as, without limitation, deciding whether an article has drifted to the extent that it should be declared out of bounds and repositioned for a competing team. (See “Trial Judge’s Authority and Duties.”)

Within the water test area there shall be placed two floating and highly visible markers (see Appendix D). These markers shall be 50' apart measured parallel to the three-foot line and shall be placed 60' out from the three-foot line. In setting up the test site, the Host Club will be responsible for making sure that the dogs will be at swimming depth 15' after leaving shore in a direct line to the 60' markers. A required swim of 40-42' must be made to that 60' marker. Drought, tides, and other climatic conditions can alter test sites drastically. It is the responsibility of the Host Club, to make sure, that the swimming exercises are not compromised at these locations. If this means further retrieves, because swimming distances cannot be met within that 60' boundary, then so be it. The other alternative is to change the test site.

The “land test area” shall start at the three-foot line and shall occupy an area measuring at least 35' perpendicular to the three-foot line and 35' parallel to the three-foot line. The land test area shall be roped off or otherwise clearly marked by the Host Committee. The line three feet from the water (the “three foot line”) shall be clearly marked along the land test area. This shall include but not be limited to a visible marker on the surface of the land across the entire width of the land test area.

From the land test area there shall be a “water area entrance” at a place where the water deepens gradually. The water area entrance shall be at least 15' wide to allow teams and boats access to the water test area. The water area entrance shall be clearly marked if it occupies less than the entire shoreline edge of the land test area.

The “trial grounds” include the entire area of water and land which supports the participants and spectators at the water trial, including the water and land test areas, viewing areas, parking areas, crating areas, concessions, sanitation facilities and exercise areas.

Changes of Judge or Site

In the event that a site must be changed, the Host Committee shall make every effort to secure a suitable site within 25 miles of the original site.

Every effort will be made by the Trial Secretary to notify the PWDCC Committee and all entrants of any change of Judge or site. If time permits, such notice shall be made in writing.

In the event of a site change after the mailing of the judging schedule and in the further event that any exhibitor was not personally contacted and advised of the change, the Host Committee shall post a person at the original site for a period from one hour before through one hour after the trial was scheduled to commence, or until every exhibitor not previously contacted has been contacted and directed to the new trial site. Further, at the discretion of the Host Committee and the officiating Judge(s), either the start of the judging at the new site may be delayed up to one hour or exhibitors arriving at the new site late due to lack of notice may be allowed to compete out of catalog order and/or after the completion of a test level other than that in which they are entered.

Trial Report

Within 14 days after the date of the water trial the Trial Secretary shall mail to the PWDCC Committee Chairperson a Trial Report consisting of the following:

1. A copy of the signed entry form for each handler and dog team which entered*;
2. A copy of the premium list as mailed;
3. A catalog marked to show which dogs passed at each test level, which dogs failed, which dogs were excused or absent, which dogs made day of trial entries at the next higher titling level, and whether they passed or failed;
4. The original Judge's worksheets;
5. A list of qualifying teams with the dog's name and registration number, the owner's name and address, the breeder's name, the handler's name, if different from the owner, and the test level at which the team qualified;
6. A fee payable to the PWDCC in the amount of \$4.00 for each qualifying team at every level Junior through Versatility, including exhibition entries;
7. Reports by the Judge(s), Host Committee and/or Trial Secretary regarding any use of rescue equipment or disciplinary measures taken in response to violations of the water trial rules;
8. A record of any protests received and decided and notice of any protests received but not yet resolved;
9. Worksheets of any observer or provisional Judge(s) and reports by the officiating Judge and Trial Secretary regarding the performance of such Judge(s).

* May be submitted on a flash drive or CD.

An extension to the 14-day deadline shall be granted if a written request for an extension, along with an explanation for the delay, is sent to the PWDCC Committee Chairperson within the 14-day limit.

If the Trial Report is not sent within the 14 day or extended time limit, unless an explanation of extenuating circumstances satisfactory to the PWDCC Committee is made, the water trial host will not be eligible to hold a sanctioned water trial for a period of one year, and in no event until the Trial Report has been received by the designated PWDCC Committee member. In the event that the PWDCC Committee member does not receive the Trial Report, the PWDCC Committee will make every effort to determine the results of the water trial and to award such PWDCC Water Trial Manual 2015 certifications/titles as were earned.

Grievance Procedure

Anyone who wishes to protest the action or inaction of any water trial official, participant or spectator must file a written protest or notice of intent to protest with the Trial Secretary on the day of the trial no later than one hour following the completion of the day's judging. The protest must describe the incident being protested, identify to the extent possible the parties involved, state the grounds for the protest and be signed by the person making the protest (the "complainant"). If a notice of intent to protest is filed, the complainant must complete a written protest as described above and send it to the Trial Secretary. The protest must be received by the Trial Secretary within seven days after the date of the trial.

If a protest filed on the day of the trial involves an obvious violation of the water trial rules, the Trial Secretary will make an effort to resolve the issues raised. The Trial Secretary will forward any such resolved protest, along with a report concerning its resolution, to the Host Committee for review. (For purposes of this grievance procedure, the Trial Secretary is considered to have forwarded any required material to the Host Committee if he/she mails or otherwise delivers the material to the Host Chairperson.)

The Trial Secretary will forward a copy of any unresolved protest to the Host Committee and to all parties named in the protest. The Trial Secretary will advise the parties that they may respond to the protest in writing and notify them of the date by which any such written statements must be received by him/her. (This date must be at least 20 days after the date on which the Trial Secretary sent the protest to the parties.) In addition, the Trial Secretary may (and, if so requested by the Host Committee, shall) interview parties named in the protest or any other persons having information regarding the protested incident and will make written records of any such interviews. The Trial Secretary will forward all such statements and records to the Host Committee, along with a report of any observations personally made by the Trial Secretary in the course of investigating the protest.

After consideration of all the statements and other evidence forwarded to it, the Host Committee will adopt a resolution stating its findings, deciding the issues raised by the protest and recommending any disciplinary action it deems appropriate. A copy of the resolution shall be sent to all parties named in the protest and to the PWDCC Board of Directors within 60 days after the date on which the original protest was received by the Trial Secretary.

Any person dissatisfied with the Host Committee's findings or decision may ask that the matter be reviewed by the PWDCC Board. The request for review must be in writing and must be received by the Trial Secretary within 14 days after the date on which the Host Committee sent copies of its resolution to the parties. Within 14 days after any request for review is received by the Trial Secretary, the Host Committee shall forward the request to the PWDCC Secretary, along with a copy of the original protest and the written record of its investigation (written statements of parties, records of inter-views, etc.).

The PWDC Board will review the forwarded documents and make a decision on the protest within 60 days after the PWDC Board Secretary's receipt of the documents. The PWDC Board shall 1) uphold the Host Committee's decision and determine disciplinary action if appropriate; 2) return the protest to the Host Committee for reconsideration or further investigation (with instructions as to the reason(s) reconsideration is appropriate and what further investigation, if any, is necessary); or 3) overrule the Host Committee's decision and substitute its own decision, which may include disciplinary action by the PWDC Board of Directors. Notice of the PWDC Board's decision must be sent to the Host Committee and all parties named in the protest within 10 days after the date of the decision.

Disciplinary Action

The PWDC Board shall forward to the PWDC Board of Directors any recommendation of PWDC disciplinary action in connection with a protest, whether received from a Host Committee or generated by the PWDC Board in review of a protest. At its next meeting following receipt of any such recommendation the PWDC Board of Directors shall consider the recommendation. All parties named in the protest shall be notified in writing of the PWDC Board's decision on any such recommendation.

The PWDC Board of Directors has the authority to institute disciplinary action against any person or organization violating the water trial rules. Such action may include, without limitation, suspension of PWDC membership or eligibility to enter/host sanctioned water trials and/or fines.

Records

Any protest regarding the conduct of any Judge or participant or the administration of a water trial by a water trial host organization shall be made a permanent part of the record with the PWDC of the person or organization whose action was the subject of the protest if the protest is upheld 1) by a Host Committee (without request for review) or 2) by the PWDC Board after a request for review.

Sale and Distribution of Material

Unless otherwise prohibited by law, the Host Committee may issue or deny permission to anyone who may wish to offer items for sale or to distribute materials at the trial grounds. No one may sell or distribute materials at the trial grounds without the written permission of the Host Committee.

Proceeds

All PWDC sanctioned water trials are non-profit events. All proceeds must be held or used by the water trial host for water trials or other non-profit activities that benefit dogs. Proceeds may be donated to non-profit organizations that benefit dogs. If a water trial host does not apply to host another sanctioned water trial for a period of two years, any remaining proceeds from the water trial(s) hosted by that organization must be turned over to the PWDC at the end of the two-year period.

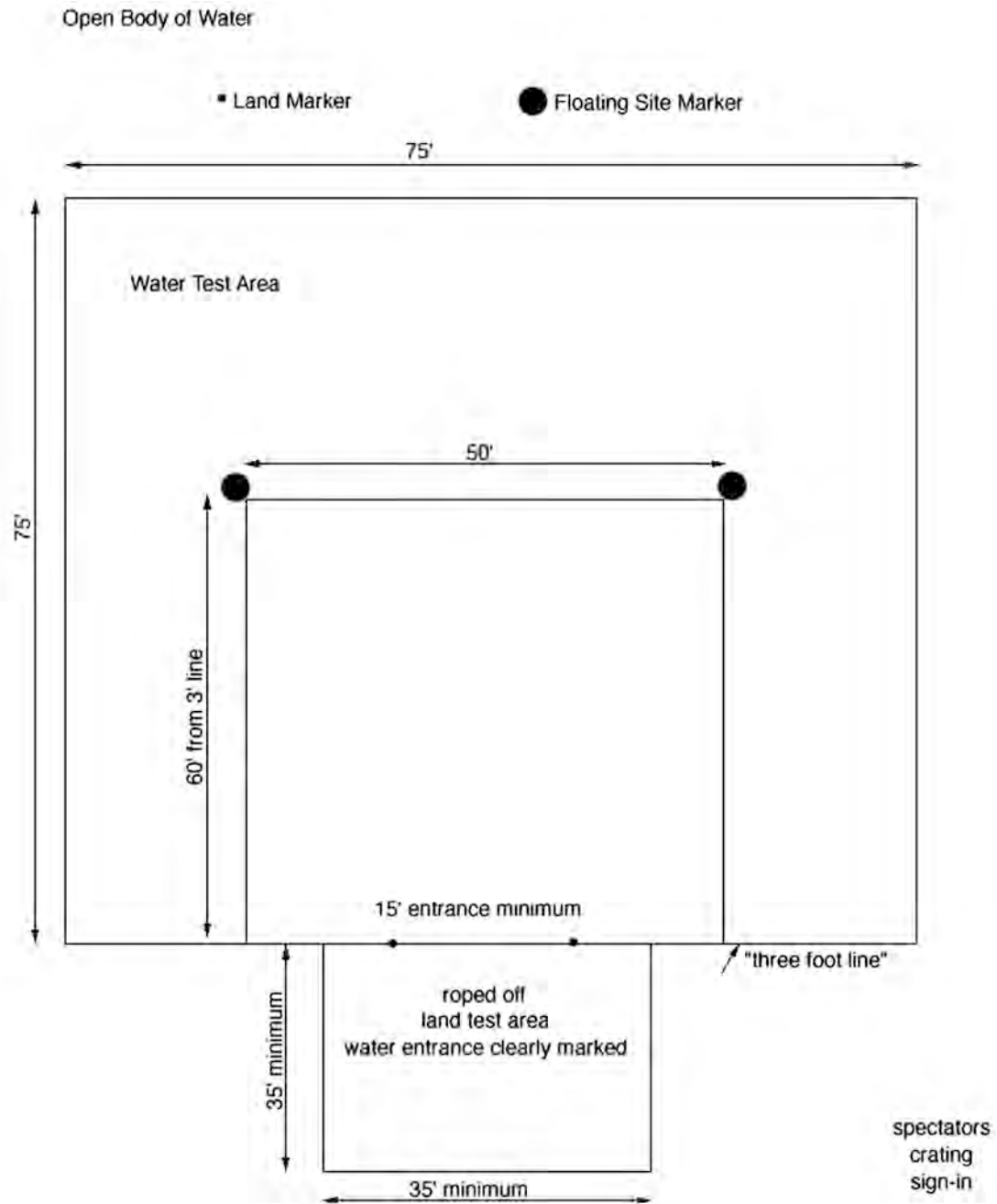
Revision and Reproduction

The PWDC has adopted this Water Trial Manual in the year 2015. No substantive revisions or additions may be made to this manual. No part of this manual may be reproduced without official permission from the PWDC Board Of Directors.

Appendix A

Water Trial Site Diagram

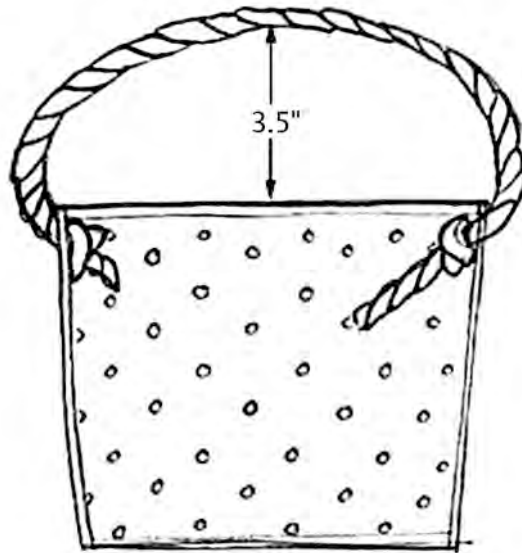
Note: The dimensions given for the water test area are minimum clearances and not “boundaries.” The water test area is subject to some shifting due to natural changes as wind, current, etc. and the Judge’s discretion will prevail.



Appendix B

Modified Bait Bucket

A plastic or metal 4-1/2 quart bait bucket.



To modify the bucket: Remove the plastic handle and replace it with a floating poly rope 3/8" to 1/2" diameter. You will need about 2' of rope, including the knots inside the bucket, which hold the handle in place and can be used to adjust the height of the rope handle to the dog's size. On average, the midpoint of the rope handle should be about 3-1/2" above the middle of the bait bucket top.

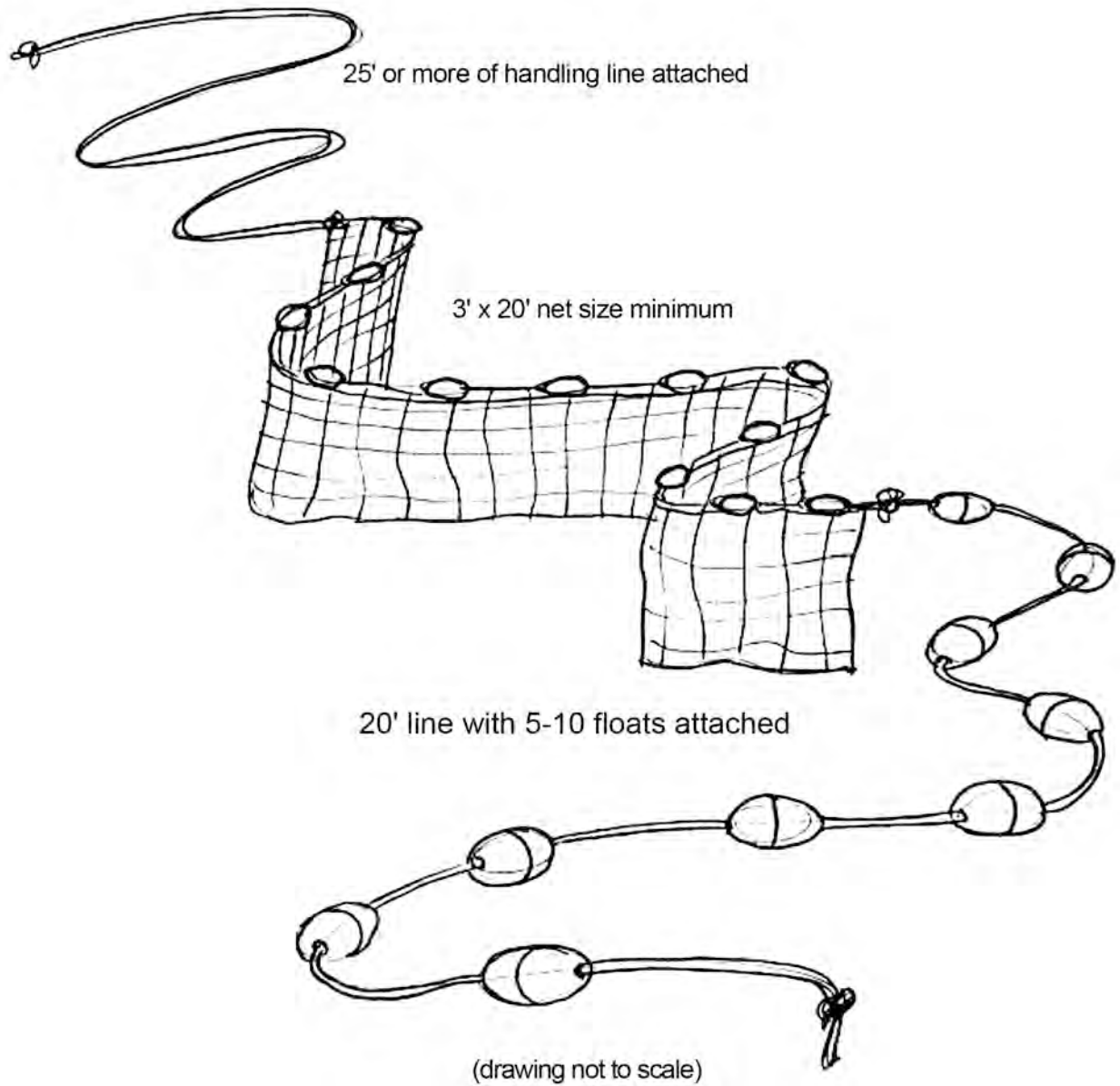
The bucket needs to have at least 1/2" holes drilled on the sides and bottom about 1" apart. When you are finished the bucket should resemble a sieve or colander.

Approximately four rocks or other weight source weighing a total of approximately 3 pounds should be placed in the bottom of the bait bucket. In order for the bait bucket to qualify as regulation equipment, the weight source must not tend to shift and must fill the bottom of the bucket evenly (This is required to minimize tipping of the bucket when moved or placed.).

Appendix C

Fishing Net Dimensions

A plastic or metal 4-1/2 quart bait bucket.

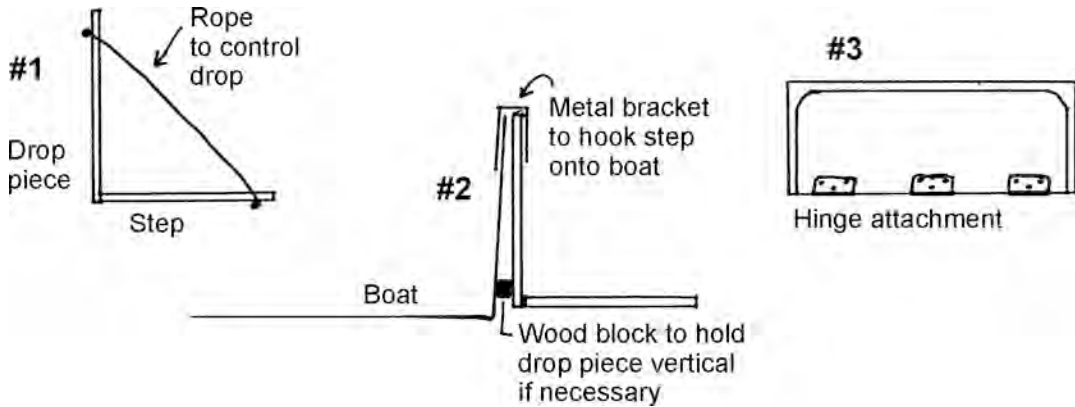


Appendix D

Boat Step Construction

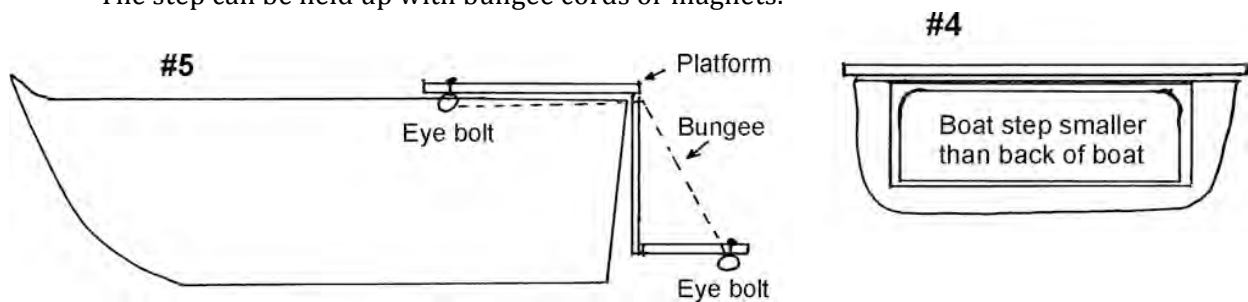
Dog Safety is the First Priority

- Every boat is unique and requires its own modifications
- A step consists of a drop piece and the step itself. (#1)
- The drop piece can be attached to the platform or hung off the back of the boat. (#2)
- Use hinges to attach the step to the drop piece. (#3) Note: use nuts and bolts-not screws.



Hinges are placed between the step and drop piece when folded.

- Use one piece of carpet to cover the drop piece face and both sides of step.
- Drop piece should be several inches less wide and shorter than the back of the boat. (#4)
- Drill holes in the drop piece and step. Pass a waterproof rope through the holes and tie knots to control the step drop. (#1)
- The step can be held up with bungee cords or magnets.



Bungee attachment: Attach two machine screw eyebolts to the bottom side of the step and the underside of the platform. Use two long (30"-36") bungees that run parallel to the rope. **Hint:** knot the bungee to increase tension. (#5)

Please call or write with comments or questions.

John Cucura

(310) 391-9991

bigJudgeohn66@verizon.net

Appendix E

Construction of Site Markers

Materials to Make One Self-Righting Marker

1 – 4" diameter CPVC, 48" long

2 – 4" diameter caps for CPVC

1 – 4-1/2" bolt and nut

2 – 2" x 1/4" eyebolt and 6 nuts or same size eye screws and piece of wood inside cap to secure

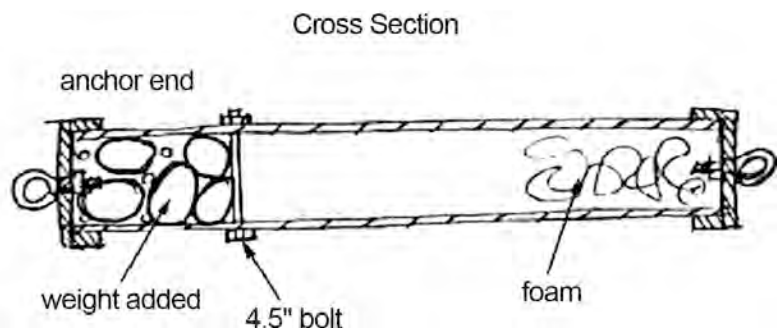
Note: it is recommended that the marker have an eye at each end. The one on the bottom is for attaching the anchor. The one on the top is for attaching the boat, or for temporarily attaching lines. Length depends on water depth; shorter for shallow water

Directions to Make a Self-Righting Marker

1. Assemble ends with eyebolts attached securely to caps.
2. Drill half-inch holes in the bottom 1/3 of the 48" long pipe.
3. Cement the anchor end cap to the pipe.
4. Add weight and fasten 4-1/2" bolt and nut to retain weight at the end of the pipe.
5. Add foam and cement the top cap to the pipe last. There will be air pressure resisting the second cap. Use a clamp to hold in place until cement sets.

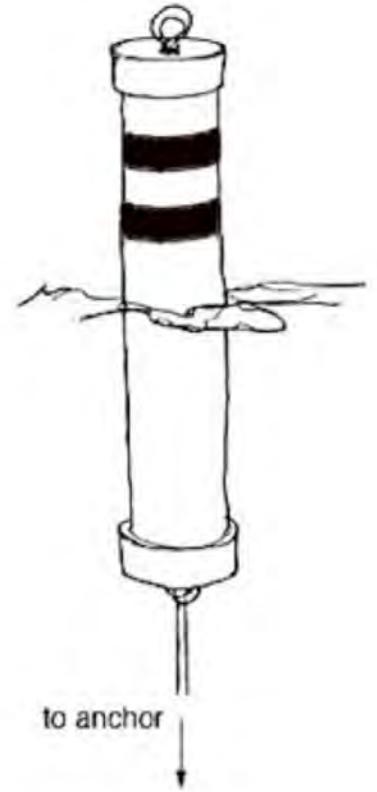


End Cap Assembly:
eye bolt
nut
washer
cap
washer
2 nuts



Directions to Make a Sealed Marker

1. A simple marker can be made without weights and foam, as shown on the right.
2. Using pipe and end caps as outlined above, assemble a watertight empty pipe. Seal the eye bolts with silicone caulk on the inside of the end caps before cementing the caps to the pipe, and seal around the end caps with silicon caulk after assembly.
3. These markers will not stay upright in the water without an anchor attached, but they work the same as the self-righting markers when they are anchored in such a way that keeps them upright during the trial.



Appendix F

PWDCC Water Test Application form

Application Date: _____ Test Date: _____

Location of Test: _____

Water Type: (circle) Ocean River Natural Lake Man-Made Lake Reservoir Other

Water Entrance: (circle) Sand Gravel Rock Asphalt Concrete Grass/Dirt Other

Approximate Water Depth: (from 3ft shore marker) 25 ft out _____ 50 ft out _____

Test Levels to be offered

Junior Water Dog Certificate Working Water Dog Title Versatility Award

Apprentice Water Dog Title Courier Water Dog Title

Approved PWDCC Judge(s)

Name: _____ Phone: _____

Levels Judging: _____ Dates: _____

Name: _____ Phone: _____

Levels Judging: _____ Dates: _____

Entry Limits: 35 teams maximum per Judge per 8 hours

Teams per level: _____ Bitches in Season: No or YES or YES w/conditions

Other _____

Refund Policy _____

Water Test Committee ALL MUST BE ACTIVE MEMBERS OF PWDCC

The Water Test Host Committee, belonging to PWDCC Branch hereby agrees to abide by all PWDCC Water Test Regulations.

Committee Chair: _____

Signature: _____

Test Secretary: _____

email address: _____

Committee Member(s): _____

attached is a Certificate of Insurance for Test date(s), Location, and Host Organization.

Attached is a check in the amount of \$25.00 per trial for the non-refundable Water Test Application Fee.
(Payable to PWDCC)

Note: Upon request by a Host Club, the PWDCC will support all Sanctioned Club Water Trials up to a maximum of \$200 per year, excluding National Specialty Water Trials.

Submit Application, Proof of Insurance, and Application Fee to PWDCC Water Trial Committee Chair.

PWDCC ACTION (please don't write in this space)

Date Received _____ Committee Review Date _____ Notification Date _____

Approval

Denial Reasons for Denial: _____

PWDCC Judge's Form

DOG ATTACK

The Trial Secretary must ensure receipt of this form by the PWDCC Water Trial Committee Chairperson within 72 hours of the incident.

Trial _____ Date _____
Class _____ Armband _____
Dog Owner's Name _____ Dog's Name _____

Please write a BRIEF note outlining the circumstances of the attack:

- | | | |
|---|---------|--------|
| 1. Did the dog attack a person? | YES ___ | NO ___ |
| 2. Did the dog attack another dog? | YES ___ | NO ___ |
| 3. Did an injury occur? | YES ___ | NO ___ |
| 4. Did you inform the exhibitor of the excusal? | YES ___ | NO ___ |
| 5. Did you inform the exhibitor of the disqualification? | YES ___ | NO ___ |
| 6. Did you mark your score sheet EXCUSED, ATTACKED or DISQUALIFIED, ATTACKED? | YES ___ | NO ___ |
| 7. Do you feel there were unusual circumstances leading to the attack? | YES ___ | NO ___ |

Explain _____

This report will become part of a dog's permanent record at The PWDCC.

This dog attack report will be filed as an act of dog aggression.

Judge's Signature _____

Exhibitor's Signature _____

Guidelines for Completing the DOG on DOG ATTACK FORM

If, for any reason, the Judge is unable to complete the form before the end of the trial, the incident is to be reported in the Trial Secretary's report to the PWDCC Water Trial Committee within 72 hours. The Judge will then complete the form as soon as possible and forward it to PWDCC Water Trial Committee Chairperson.

- Upon completion, Judge should have the exhibitor sign this form, and, if possible, hand a copy it to the exhibitor. If the exhibitor has left the trial site, the Trial Secretary must ensure receipt within 72 hours.

- Three copies should be made: The Judge should retain a copy. The Trial Secretary will send a copy to the PWDCC Water Committee Chairperson. The Exhibitor will be provided a copy.

TO BE COMPLETED BY TRIAL SECRETARY. Date Copy Provided to the Dog Owner _____

DOG Aggression Action by Event Committee

If an Event Committee becomes aware of any significant act of dog aggression that takes place in association with their event, three (3) members of the Committee must investigate the incident (except in the case of a dog that is disqualified by the Judge) and complete this form. No exhibitor complaint is required. The Event Committee must ensure receipt of this form to the PWDCC Water Trial Committee Chairperson within 72 hours of the incident.

Any dog that, in the opinion of the Event Committee, attacks a person or a dog at a PWDCC event, resulting in an injury, and is believed by that Event Committee to present a hazard to persons or other dogs, shall be disqualified. When the Event Committee pursuant to this section disqualifies the dog, a report shall be filed with the PWDCC Water Trial Committee Chairperson. The disqualified dog may not again compete at any PWDCC Water Trial nor be on the grounds of a PWDCC Water Trial until the PWDCC Water Trial Committee and Board of Directors have made a determination.

For questions about this form or about the procedure, contract the PWDCC Water Trial Committee Chairperson.

Event _____ Date _____
Dog's Name _____
Reg # _____ Class if entered _____

Provide a detailed description of the incident. Attach any witness statements or other documentation:

- | | | |
|---|---------|--------|
| 1. Was there an attack by the dog? | YES ___ | NO ___ |
| 2. Was there an injury to a dog or person? | YES ___ | NO ___ |
| 3. Do you feel there were mitigating circumstances leading to the attack?
(If yes, please attach a description of these circumstances.) | YES ___ | NO ___ |
| 4. Do you feel that this dog presents a hazard to persons or other dogs?
(Dog must be disqualified if the answers to 1 & 2 are yes, and 3 is no) | YES ___ | NO ___ |
| 5. Did you disqualify the dog?
(Answers to 1, 2, and 4 above must be yes to disqualify the dog.) | YES ___ | NO ___ |
| 6. Did you inform the exhibitor of the committee's decision?
(If the exhibitor does not sign this form at the time of the disqualification,
the Club must provide documentation to the PWDCC that the Exhibitor
has received documentation.) | YES ___ | NO ___ |

Dog Owner's Name: _____ Phone: _____

Dog Owner's Address: _____

Signature of Dog Owner or Agent: _____

Form completed by (club member): _____

Signature: _____

Glossary of Terms

AKC: American Kennel Club

Alternate Handler: Physically challenged handlers who require special arrangements may designate another Handler for specific exercises. The Alternate Handler must be designated prior to the trial by notifying the Trial Secretary, Trial Chair, and Judge. The Handler will remain quietly in the test area while the Alternate Handler is performing the specific exercises.

Anticipation: The dog leaves its position before being sent.

Briefing: A meeting held by the Judge prior to each level, which shall summarize the exercises at that level. Any adaptations to be made in exercises due to site conditions or other considerations shall be discussed. Participants shall have an opportunity to ask questions, if necessary.

Club Steward: A person, at the choosing of the Host Committee, who will assist in the ring at all levels, as designated within the rules.

Complainant: Person filing a grievance

Delivery to Hand: The dog brings an article to the handler (or Steward) and either deposits it in the handler's (or Steward's) hand on command or allows the handler (or Steward) to remove the article from its mouth on command.

Double Handling: Assistance to or communication with a competing dog by a person who is not specifically permitted to do so by the terms of the exercise description or (these Rules).

Entering the Water: A dog moves all four paws across the three - foot line from land. In the case of being on a boat, jumping from the platform into the water.

Failure Policy: A rule published in the premium list for the PWDCC National Specialty Trial, requiring a dog to discontinue competing

Grievance: a protest of the action or inaction of any water trial official, participant or spectator

Handler: An owner or any other person authorized by the owner to handle a dog during the test exercises

Host Committee: The members of the PWDCC - Sanctioned Branch or Regional Club hosting the Water Trial. Has full responsibility for actions taken by its members and authorized representatives in the planning and conduct of a Water Trial.

Leaving the Water: A dog moves all four paws across the three - foot line from the water towards land.

PAL/ILP: Purebred Alternate Listing/Indefinite Listing Privilege

Participant: Both handlers and Stewards at a trial , including substitute Stewards.

PWDCA: Portuguese Water Dog Club of America

PWDCC: Portuguese Water Dog Club of Canada

PWDCC Committee: PWDCC Water Trial Committee

PWDCC Committee: PWDCC Water Trial Committee

Starting Position: Boat: Handler is sitting or kneeling on the boat platform. Dog is at the handler's side, under control.

Starting Position: Other: Position is explained during the briefing and at the beginning of the exercise.

Starting Position: Shore: Handler is standing on shore behind the three - foot line. Dog is at the handler's side, under control.

Substitute Steward: A person, at the choosing of the handler, who will assist the handler in completing exercises. A Substitute Steward may be used in Courier, Versatility, and for the Swim Exercises in Junior and Apprentice. For any other exercise, the Judge and Trial Chair must approve the use of a Substitute Steward prior to the briefing.

Test Area: Both the Water and land areas, designated as the Trial Site

Three-foot line: A line three feet from the water, on land, that is clearly marked along the land test area.

Trial Equipment: All regulation equipment authorized for use in a Water Trial by the Judge and/or the Host Committee.

Trial Grounds: The entire area of water and land which supports the participants and spectators at the water trial, including the water and land test areas, viewing areas, parking areas, crating areas, concessions, sanitation facilities and dog exercise areas.

Trial Site: See Appendix A

Water Trial Official (Official): Any Judge, official trial Steward, veterinarian and lifeguards provided by the Host Committee, members of the Host Committee, and any other person to whom a task has been specifically delegated by the Host Committee

Water Trial Rules (Rules): All of the provisions of the PWDCC Water Trial Manual