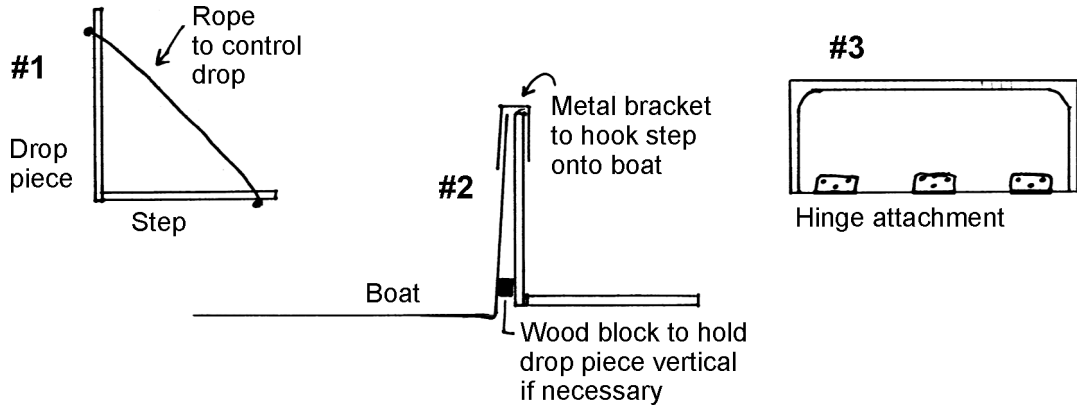


Boat Step Construction

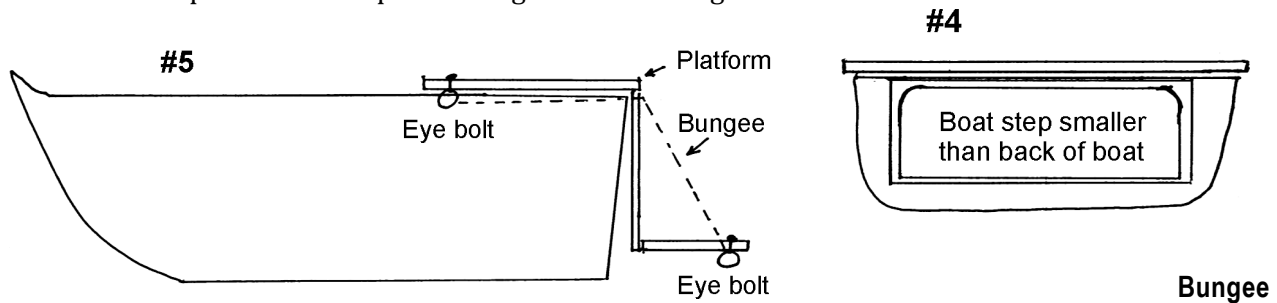
Dog Safety is the First Priority

- Every boat is unique and requires its own modifications
- A step consists of a drop piece and the step itself. (#1)
- The drop piece can be attached to the platform or hung off the back of the boat. (#2)
- Use hinges to attach the step to the drop piece. (#3) Note: use nuts and bolts-not screws.



Hinges are placed between the step and drop piece when folded.

- Use one piece of carpet to cover the drop piece face and both sides of step.
- Drop piece should be several inches less wide and shorter than the back of the boat. (#4)
- Drill holes in the drop piece and step. Pass a waterproof rope through the holes and tie knots to control the step drop. (#1)
- The step can be held up with bungee cords or magnets.



attachment: Attach two machine screw eyebolts to the bottom side of the step and the underside of the platform. Use two long (30"-36") bungees that run parallel to the rope.

Hint: knot the bungee to increase tension. (#5)

Please call or write with comments or questions.

John Cucura
(310) 391-9991

bigjudgeohn66@verizon.net